

KÄRCHER

makes a difference

BR 30/4 C
BR 30/4 C Adv

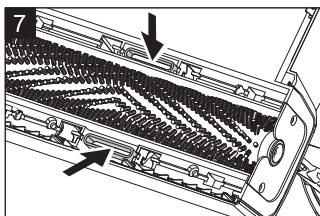
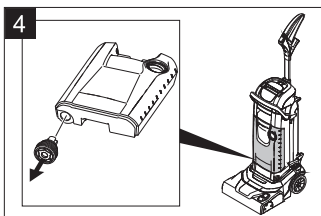
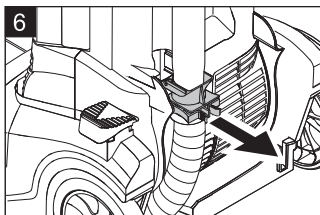
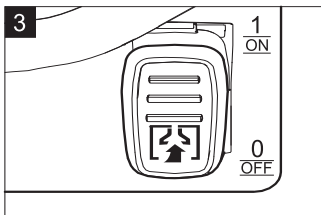
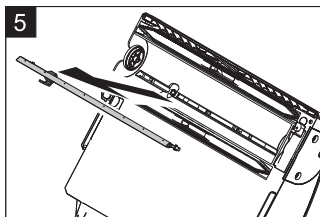
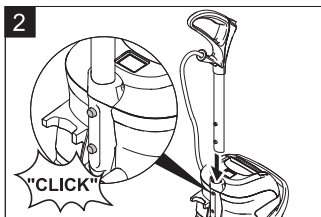
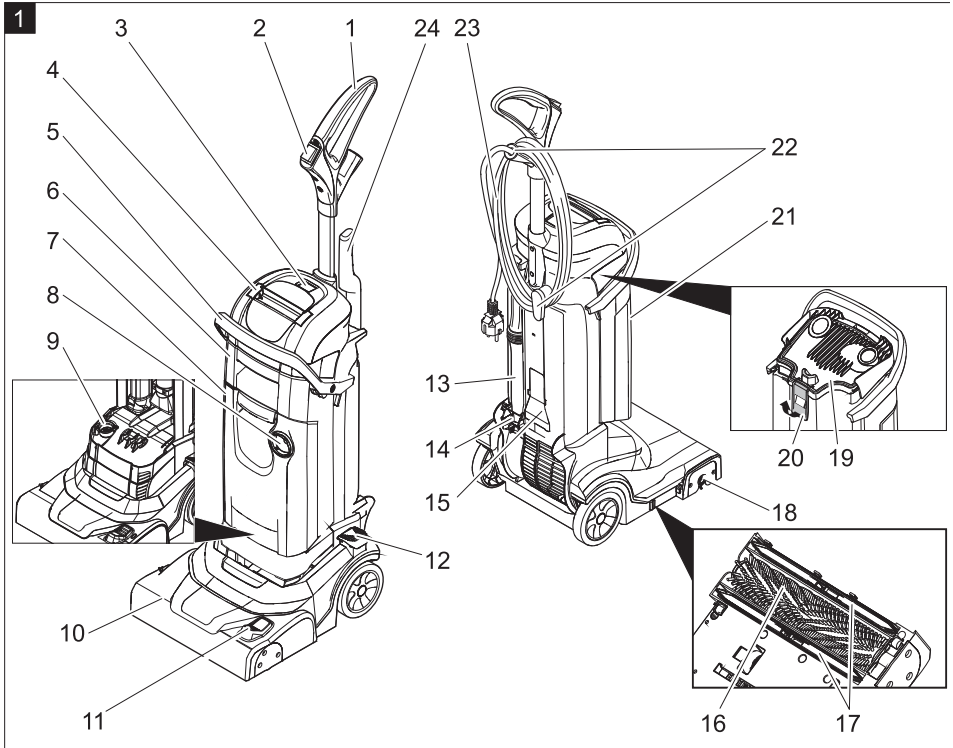
English	3
Français	14
Español	27



Register and win!
www.kärcher.com/register-and-win



59649540 01/17



IMPORTANT SAFETY INSTRUCTIONS

READ ALL INSTRUCTIONS BEFORE USING.

WARNING

To reduce the risk of fire, electric shock, or injury:

- DO NOT LEAVE appliance unattended when plugged in. Unplug from outlet when not in use and before servicing.

WARNING

- TO REDUCE THE RISK OF ELECTRIC SHOCK-USE INDOORS ONLY

- Do not allow to be used as a toy. Close attention is necessary when used near children.
- Use only as described in this manual. Use only manufacturer's recommended attachments.
- Do not use with damaged cord or plug. If appliance is not working as it should, has been dropped, damaged, left outdoors, or dropped into water, return it to a service center.
- Do not pull or carry by cord, use cord as a handle, close a door on cord, or pull cord around sharp edges or corners. Do not run the unit over cord. Keep cord away from heated surfaces.
- Do not unplug by pulling on cord. To unplug, grasp the plug, not the cord.
- Do not handle plug or appliance with wet hands.
- Do not put any object into openings. Do not use with any opening blocked; keep free of dust, lint, hair,

and anything that may reduce air flow.

- Keep hair, loose clothing, fingers, and all parts of body away from openings and moving parts.
- Turn off all controls before unplugging.
- Use extra care when cleaning on stairs.
- Do not use to pick up flammable or combustible liquids, such as gasoline, or use in areas where they may be present.
- Connect to a properly grounded outlet only. See Grounding Instructions.

SAVE THESE INSTRUCTIONS

GROUNDING INSTRUCTIONS

This appliance must be grounded. If it should malfunction or break down, grounding provides a path of least resistance for electric current to reduce the risk of electric shock.

The plug must be inserted into an appropriate outlet that is properly installed and grounded in accordance with all local codes and ordinances.

WARNING

Improper connection of the equipment-grounding conductor can result in a risk of electric shock.

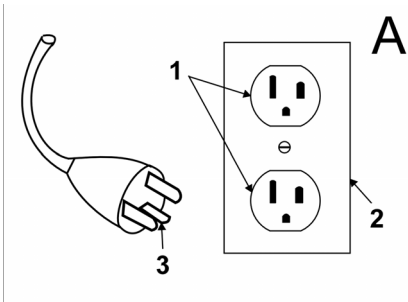
Check with a qualified electrician or service person if you are in doubt as to whether the outlet is properly grounded.

Do not modify the plug provided with the appliance.

If it will not fit the outlet, have a proper outlet installed by a qualified electrician.

This appliance is for use on a nominal 120-volt circuit and has a grounding attachment plug that looks like the plug illustrated in sketchpicture A. Make sure that the appliance is connected to an outlet having the same configuration as the plug. No adaptor should be used with this appliance.

CONNECT TO A PROPERLY GROUNDED OUTLET ONLY



- 1 Grounded outlet
- 2 Grounded outlet box
- 3 Grounded pin

OPERATING SAFETY RULES AND PRACTICES

Operator Responsibility

Safe operation is in the responsibility of the operator.

The operator shall be familiar with the operation and function of all controls and instruments before undertaking to operate the unit.

Before operating the unit, operators shall have read and be familiar with the operator's manual for the particular unit being operated and they shall also abide by the safety rules and practices in the following paragraphs.

Before operating any unit, the operator shall be familiar with unusual operating conditions which may require additional safety precautions or special operating instructions.

General

Before starting to operate the unit be in operating position.

Do not start or operate the unit, any of its functions or attachments, from any place other than from the designated operators position.

Before leaving the operator's position:

- A bring the unit to a complete stop;
- B if the unit must be on an incline, block the wheels.

Maintain a safe distance from the edge of ramps, platforms, and other similar working surfaces.

Do not add to, or modify the unit.

Do not block access to fire aisles, stairways or fire equipment.

Travelling

Yield the right of way to pedestrians and emergency vehicles such as ambulances and fire trucks.

Cross railroad tracks at an angle whenever possible. Do not park closer than 6 ft (1800 mm) to the nearest rail of a railroad track.

Keep a clear view of the path of travel and observe for other traffic, personnel, and safe clearances.

Under all travel conditions, operate the unit at a speed that will permit it to be brought to a stop in a safe manner.

Do not indulge in stunt driving or horseplay.

Slow down for wet and slippery floors.

Before driving over a dockboard or bridge plate, be sure that it is properly secured. Drive carefully and slowly across the dockboard or bridge plate, and never exceed its rated capacity.

When negotiating turns, reduce speed to a safe level consistent with the operating environment. Make the turns smoothly.

Operator care of the unit

If the unit is found to be in need of repair or in any way unsafe, or contributes to an unsafe condition, the matter shall be reported immediately to the user's designated authority, and the unit shall not be operated until it has been restored to safe operating condition.

If during operation the unit becomes unsafe in any way, the matter shall be reported immediately to the user's designated authority, and the unit shall not be operated until it has been restored to safe operating condition.

Do not make repairs or adjustments unless specifically authorized to do so.

MAINTENANCE AND RE-BUILD PRACTICES

Operation of the unit may be hazardous if maintenance is neglected or repairs, rebuilds, or adjustments are not performed in accordance with the manufacturer's design criteria. Therefore, maintenance facilities (on or off premises), trained personnel, and detailed procedures shall be provided.

Maintenance and inspection of the unit shall be performed in conformance with the following practices:

- A a schedules planned maintenance, lubrication, and inspection system shall be followed; consult the manufacturer's recommendations.
- B only trained and authorized personnel shall be permitted to maintain, repair, adjust, and inspect the unit, and in accordance with manufacturer's specifications.

Avoid fire hazards and have fire protection equipment present in the work area. Do not use open pans of fuel or

flammable cleaning fluids for cleaning parts.

FIRE SAFETY STANDARD

Any unit not in safe operating condition shall be removed from service.

Repairs shall not be made in Class I, Class II, and Class III locations.

Fire Prevention: The unit shall be kept in a clean condition and reasonably free of lint, excess oil, and grease.

Noncombustible agents are preferred for cleaning the unit. Flammable liquids [those having flash points at or above 100°F (37,8°C)] are not allowed. Precautions regarding toxicity, ventilation, and fire hazard shall be appropriate for the agent or solvent used.

Nameplate Visibility: The unit type designations as shown on the nameplate and the type markers shall not be covered over with paint so that their identification information is obscured.

The unit shall not be used in classified areas.



Please read and comply with these instructions prior

to the initial operation of your appliance. Retain these operating instructions for future reference or for subsequent possessors.

Contents

Safety instructions	EN . . . 4
Function	EN . . . 4
Proper use	EN . . . 4
Environmental protection	EN . . . 4
Control elements	EN . . . 5
Initial startup	EN . . . 5
Operation	EN . . . 5
Care and maintenance	EN . . . 7
Faults	EN . . . 8
Technical specifications	EN . . . 10
Warranty	EN . . . 11
Spare parts	EN . . . 11

Safety instructions

Before using the appliance for the first time, read and observe these operating instructions and the accompanying brochure: Safety information for brush cleaning units, 5.956-251.0.

Symbols in the operating instructions

⚠ DANGER

Immediate danger that can cause severe injury or even death.

⚠ WARNING

Possible hazardous situation that could lead to severe injury or even death.

CAUTION

Possible hazardous situation that could lead to mild injury to persons or damage to property.

Function

The appliance is used for the wet cleaning of level floors.

A working width of 300 mm and a capacity of 4 l each of the fresh and dirt water reservoirs enable an effective cleaning of smaller surfaces.

The power supply operation allows a high capacity without a restriction of the working time.

Note



The appliance can be equipped with various accessories depending on the cleaning task. Please request our catalogue or visit us on the Internet at www.kaercher.com.

Proper use

Use this appliance only as directed in these operating instructions.

- The appliance may only be used for the cleaning of hard surfaces that are not sensitive to moisture and polishing operations.
The application temperature ranges from +5°C to +40°C.
- The appliance is not suited for the cleaning of frozen grounds (e.g. in cold stores).
- The appliance may only be equipped with original accessories and spare parts.
- The appliance was designed for the cleaning of floors inside or of covered surfaces.
- The appliance is not intended for the cleaning of public traffic routes.
- The appliance is not suited for the use in potentially explosive environments.

Environmental protection

	The packaging materials are recyclable. Please do not throw packaging in the domestic waste but pass it on for recycling.
	Old units contain valuable recyclable materials. Batteries, oil and similar substances may not be released into the environment. Therefore please dispose of old units through suitable collection systems.

Notes about the ingredients (REACH)

You will find current information about the ingredients at:

www.kaercher.com/REACH

Control elements

Figure 1, see cover page

- 1 Handle
- 2 Water pump switch
- 3 Main switch for brushing/vacuuming operations
- 4 Carrying handle
- 5 Support bow in waste water tank
- 6 waste water tank
- 7 Fresh water tank
- 8 Fresh water tank lock
- 9 Sieve
- 10 Cleaning head
- 11 Vacuum bar lift pedal
- 12 Release, park position
- 13 Suction tube
- 14 Suction tube connection
- 15 Suction nozzle (BR 30/4 C Adv only)
- 16 Brush roller
- 17 Vacuum bar

- 18 Unlocking button for the changeable brush
- 19 Cover waste water tank
- 20 Lock
- 21 Filling level display
- 22 Cable hook, rotating
- 23 Mains cable with mains plug
- 24 Suction tube handle (BR 30/4 C Adv only)

Colour coding

- The operating elements for the cleaning process are yellow.
- The controls for the maintenance and service are light gray.

Initial startup

Figure 2, see cover page

- ➔ Insert tube into the opening of the appliance at the end of the handle.
- ➔ Press down and slide the handle into the appliance until it clicks.

Operation

Fill fresh water reservoir

CAUTION

Risk of damage. Only use the recommended detergents. With respect to different detergents the operator bears the increased risk regarding the operational safety, accident risk and reduced product life of the appliance. Only use detergents that are free from solvents, hydrochloric acid and hydrofluoric acid. Follow the safety instructions for using detergents.

Note

Do not use highly foaming detergents. Observe the dosing notes. Recommended detergents:

Application	Detergent
Everyday cleaner, alkali-based	RM 743
Everyday cleaner, acidic, for sanitary applications, swimming pools, etc. Removes limestone deposits.	RM 738

- Remove the fresh water reservoir from the appliance.
- Open the cover of the fresh water reservoir.
- Pour in water/detergent mixture. Maximum temperature of the liquid 50 °C.
- Close the cover of the fresh water reservoir.
- Insert the fresh water container into the appliance.

Establish mains contact

- Swivel bottom cable hook upward and remove cable.
- Check mains cable and plug for damage or breakage. Get them replaced only through customer service agent or an electrician.
- Insert the mains plug into the socket.

Cleaning

⚠ DANGER

Risk of injury on account of electric shock caused by a damaged mains cable. Do not let the mains cable come in contact with the rotating brushes.

CAUTION

Risk of damage to the floor covering. The cleaning method for severe soiling must only be used on floors suitable for this kind of cleaning.

Risk of damage to the fresh water pump if it runs dry because of empty fresh water reservoir. Monitor the fill level indicator and switch the water pump switch off if the fresh water reservoir is empty.

Normal soiling

- Move the suction bar lift pedal to position „suction off“ (Fig. 3 - position "1/ON", see inside front cover).
- Press the park position release and swivel the handle toward the rear.
- Set main switch for brush/vacuum operation to "1".
- Activate the water pump switch.
- Move the appliance over the surface to be cleaned.

Severe soiling

CAUTION

Risk of damage to the floor covering. The cleaning method for severe soiling must only be used on floors suitable for this kind of cleaning.

- Move the vacuum bar lift pedal to position „do not suction off“ (Fig. 3 - position "0/OFF" see inside front cover) and perform the cleaning as you would with normal soiling. The detergent liquid remains on the surface to be cleaned and has time to settle in.
- Move the vacuum bar lift pedal to position "suction off" and reclean the surface.

Vacuuming in corners (BR 30/4 C Adv only)

- Pull the suction tube out toward the top, attach the suction nozzle and vacuum the dirt.
- Remove the nozzle, replace the suction tube and insert handle.

Complete cleaning

- Turn off the water pump switch.
- Push the appliance a little further to vacuum up the remaining water.
- Set main switch for brush/vacuum operation to "0".
- Swivel the appliance handle forward and arrest in the park position.
- Disconnect the main plug from the socket.

Emptying the waste Water tank

NOTICE

If the waste water tank is full the float closes the suction channel. The suction operation is interrupted. Empty the waste water tank.

⚠ WARNING

Please observe the local provisions regarding the wastewater treatment.

- Turn off the appliance.
- Position the appliance upright and arrest it in the park position.
- Remove the fresh water reservoir from the appliance.
- Swivel support bow downward and remove the waste water tank.
- Lift the lock and remove the lid of the waste water tank.
- Pour out dirt water.
- Rinse the dirt water reservoir with clear water.
- Replace the lid of the waste water tank and lock it.
- Insert the waste water tank into the appliance.

Emptying the Fresh Water Reservoir

- Remove the fresh water reservoir from the appliance.

- Open the cover of the fresh water reservoir.
- Pour out the cleaning liquid.
- Close the cover of the fresh water reservoir.
- Insert the fresh water container into the appliance.

Transport

CAUTION

Risk of injury and damage! Observe the weight of the appliance when you transport it.

- Swivel the appliance handle forward and arrest in the park position.
- Swivel the pushing handle backwards and push the appliance.

or

- Lift appliance by the carrying handle and carry it.
- When transporting in vehicles, secure the appliance according to the guidelines from slipping and tipping over.

Storage

CAUTION

Risk of injury and damage! Note the weight of the appliance in case of storage.

This appliance must only be stored in interior rooms.

Care and maintenance

⚠ DANGER

Risk of injury by inadvertent startup of appliance and electrical shock.

First pull out the plug from the mains before carrying out any tasks on the machine.

CAUTION

Risk of damage to the appliance on account of water leakage. Empty the

waste water reservoir and the fresh water reservoir prior to performing maintenance on the appliance.

Maintenance schedule

After the work

CAUTION

Risk of damage. Do not wash down the appliance with water and do not use aggressive detergents.

- Empty the waste water tank.
- Clean the seals between the waste water tank and the appliance.
- Empty the fresh water reservoir.
- Rinse the appliance: Fill the fresh water reservoir with clear water (without detergent) and let the appliance run for one minute with the brush water supply turned on.
- Empty the fresh water reservoir.
- Clean the outside of the appliance with a damp cloth which has been soaked in mild detergent.
- Clean the vacuum bar, check for wear and replace if required (see "Maintenance tasks").
- Check the brush for wear and replace if required (see "Maintenance tasks").

Yearly

- Have the prescribed safety inspection carried out by an electrician.

Maintenance Works

Replace the vacuum bar.

NOTICE

The vacuum bars are attached to the appliance with snaps and can simply be pulled off.

- Move the suction bar lift pedal to position „suction off“ (Fig. 3 - position "1/ON", see inside front cover).
- Remove the fresh water reservoir.

- Remove the waste water tank.
- Lay the device on the reverse.
- Pull off the vacuum bar downwards.
- Insert the new vacuum bars and lock them into place.

Replacing the brush roller

- Remove the fresh water reservoir.
- Remove the waste water tank.
- Lay the device on the reverse.
- Press the release button for the brush roller and swivel the brush roller toward the bottom and pull it off the driver.
- Place the new brush roller on the driver and lock into place on the opposite side.

Frost protection

In case of danger of frost:

- Empty the fresh and dirt water reservoirs.
- Store the appliance in a frost-protected room.

Faults

⚠ DANGER

Risk of injury by inadvertent startup of appliance and electrical shock.

First pull out the plug from the mains before carrying out any tasks on the machine.

CAUTION

Risk of damage to the appliance on account of water leakage. Empty the waste water reservoir and the fresh water reservoir prior to performing maintenance on the appliance.

In case of faults that cannot be remedied using the table below please contact the customer service.

Fault	Remedy
Appliance cannot be started	Check if the mains plug is connected.
Insufficient water quantity	Check fresh water level, refill tank if necessary.
	Open the lock of the fresh water reservoir. If a vacuum is detected when the tank is opened, clean the ventilation valve in the lock of the fresh water reservoir.
	Clean the water distributor (see chapter "Cleaning the water distributor").
	Remove the fresh water tank and check the sieve for contamination. If necessary, remove the sieve and clean it.
	Pull off the valve with filter on the fresh water reservoir (Fig. 4, see inside front cover) and rinse in lukewarm water.
Fresh water reservoir drips when re-filled	Pull off the valve with filter on the fresh water reservoir (Fig. 4, see inside front cover) and rinse in lukewarm water.
Insufficient vacuum performance	Empty the waste water tank.
	Lock the waste water reservoir in place on the appliance.
	Clean the seals between waste water tank and cover and check for tightness, replace if required.
	Check the seals between the lid of the waste water tank and the appliance. Contact Customer Service if the seals are damaged.
	Check that all vacuum bars are locked into place in the cleaning head.
	Suction bar plugged, clean.
	Suction bar worn; exchange the front and rear suction bars. If both suction bars are worn, install new suction bars.
	Check that both suction tube parts are correctly attached to the suction tube connection.
	Check the suction tube and the suction channel in the cleaning head for obstruction and remove if necessary (see "Cleaning suction tube").
	Check whether the cable behind the tanks has been routed flat and whether the included cover is attached.
Insufficient cleaning result	Check the brush roller for wear, replace if required.
Brush does not turn	Check if foreign matters are blocking the brush roller; remove foreign matter if required.
Creaking sound, brush does not turn	Slip clutch was triggered. Switch off the appliance, check/clean the brush roller.

Clean water distributor

- Take out the brush roller.
- Pull the water distribution bar out of the brush tunnel (Fig. 5, see inside front cover).
- Clean the irrigation channel and the opening in the water distribution bar under running water.

Clean suction tube

- Remove the fresh water reservoir from the appliance.
- Swivel support bow downward and remove the waste water tank.
- Pull the suction tube connection out toward the rear of the appliance and swivel out both ends of the suction tube (Fig. 6, see inside front cover). The suction tube is separated and both ends are accessible for cleaning.
- Pull the vacuum bar off toward the bottom, the suction channel in the cleaning head is accessible for cleaning (Fig. 7, see inside front cover).
- Flush the suction hose and the suction channel with water or pull or push the obstruction out with a blunt object.

Technical specifications

Power		
Nominal voltage	V/Hz	120 / 1~60
Power consumption	A	6
Protective class		I
Type of protection		IPX4
Vacuuming		
Cleaning power, air quantity	gpm (l/s)	380 (24)
Cleaning power, negative pressure	psi (kPa)	2.0 (14)
Cleaning brush		
Working width	in (mm)	11,8 (300)
Brush diameter	in (mm)	2.4 (60)
Brush speed	1/min	1550
Dimensions and weights		
Theoretical surface cleaning performance	ft ² /h (m ² /h)	2152 (200)
Fresh/waste water tank volume	gal (l)	1 (4)
Length	in (mm)	15.4 (390)
Width	in (mm)	13.2 (335)
Height	in (mm)	46.5 (1180)
Weight	lb (kg)	35.3 (16)
Values determined as per EN 60335-2-72		
Hand-arm vibration value	m/s ²	<2,5
Uncertainty K	m/s ²	0,2
Sound pressure level L _{pA}	dB(A)	72
Uncertainty K _{pA}	dB(A)	1
Sound power level L _{WA}	dB(A)	85
Uncertainty K _{WA}	dB(A)	1

Warranty

The warranty terms published by our competent sales company are applicable in each country. We will repair potential failures of your accessory within the warranty period free of charge, provided that such failure is caused by faulty material or defects in fabrication. In the event of a warranty claim please contact your dealer or the nearest authorized Customer Service center. Please submit the proof of purchase.

Spare parts

Only use original accessories and spare parts, they ensure the safe and trouble-free operation of the device. For information about accessories and spare parts, please visit www.kaercher.com.

CONSIGNES DE SÉCURITÉ IMPORTANTES

LIRE L'INTÉGRALITÉ DES INSTRUCTIONS AVANT L'UTILISATION.

AVERTISSEMENT

Afin de réduire les risques d'incendie, d'électrocution et de blessures, prendre les précautions suivantes :

- NE PAS LAISSER l'appareil sans surveillance lorsqu'il est branché. Débrancher l'appareil lorsqu'il n'est pas utilisé et avant de procéder à l'entretien.

AVERTISSEMENT

- UTILISER L'APPAREIL EXCLUSIVEMENT À L'INTÉRIEUR POUR RÉDUIRE LES RISQUES D'ÉLECTROCUTION
- Cet appareil n'est pas un jouet. Ne jamais le laisser sans surveillance lorsqu'il est utilisé à proximité d'enfants.
- Respecter impérativement les consignes d'utilisation de ce manuel. Utiliser uniquement les accessoires recommandés par le fabricant.
- Ne pas mettre l'appareil en service en cas d'endommagement du cordon ou de la prise. Si l'appareil ne fonctionne pas correctement, s'il est tombé, s'il a été endommagé, s'il est resté à l'extérieur ou est tombé dans l'eau, le retourner à un centre de service.
- Ne pas tirer ou transporter l'appareil par le cordon électrique ou se servir de ce dernier comme d'une poignée. Veiller à ne pas coincer le

cordon dans une porte et éviter de le tirer sur des bords ou des coins tranchants. Ne pas rouler sur le cordon électrique. Tenir le cordon à l'écart des surfaces chaudes.

- Ne pas tirer sur le cordon électrique pour débrancher l'appareil. Tirer au niveau de la fiche pour déconnecter l'appareil du secteur.
- Ne pas manipuler l'appareil ou la fiche électrique avec les mains mouillées.
- Ne rien introduire dans les orifices. Ne pas utiliser l'appareil si l'un des orifices est obstrué. Protéger les orifices de la poussière, des peluches, des cheveux et autres matières susceptibles de réduire le débit d'air.
- Veiller à ne pas approcher les cheveux, vêtements larges, doigts ou toute autre partie du corps des orifices et composants mobiles de l'appareil.
- Désactiver toutes les commandes avant de débrancher l'appareil.
- Faire particulièrement attention lors du nettoyage d'escaliers.
- Ne pas aspirer de liquides inflammables ou combustibles, tels que de l'essence avec l'appareil. Ne pas utiliser ce dernier dans des zones susceptibles de contenir de tels produits.
- Brancher uniquement sur une prise correctement reliée à la terre. Voir les instructions de mise à terre.

CONSERVER CES CONSIGNES

INSTRUCTIONS DE MISE À LA TERRE

Cet appareil doit être connecté à la terre. En cas de dysfonctionnement ou de panne, la mise à la terre fournit un chemin de moindre résistance pour le courant électrique pour réduire le risque de choc électrique.

La fiche doit être branchée dans une prise électrique qui est correctement installée et raccordée à la terre en conformité avec les réglementations et directives locales.

AVERTISSEMENT

Une connexion incorrecte du conducteur de terre de l'équipement peut avoir pour résultat un risque de choc électrique.

Contrôler avec un électricien qualifié ou un technicien de service si vous avez des doutes relatifs à la mise à la terre correcte de la prise.

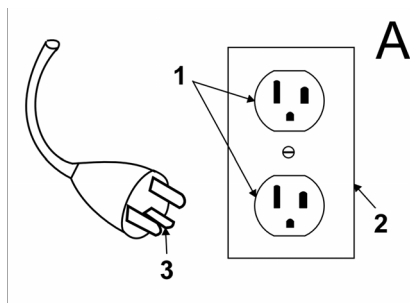
Ne pas modifier la fiche fournie avec l'appareil.

Si la fiche ne rentre pas dans la prise, faites installer une prise appropriée par un électricien qualifié.

Cet appareil a été conçu pour fonctionner à une tension nominale de 120 volts ; sa fiche de mise à la terre est similaire à celle illustrée à la figure A.

S'assurer que la prise de courant utilisée est compatible avec la fiche secteur. Ne pas utiliser d'adaptateur pour brancher cet appareil.

BRANCHER UNIQUEMENT SUR UNE PRISE CORRECTEMENT RELIÉE A LA TERRE



- 1 Prise reliée à la terre
- 2 Socle de prise de courant
- 3 Fiche de mise à terre

REGLES ET PRATIQUES DE SECURITE DE FONCTIONNEMENT

Responsabilité de l'opérateur

Un fonctionnement sûr est la responsabilité de l'opérateur.

L'opérateur doit être au courant du fonctionnement et des fonctions de toutes les commandes et de tous les instruments avant d'entreprendre de faire fonctionner l'unité.

Avant de faire fonctionner l'unité, les opérateurs doivent avoir lu et bien connaître le manuel d'utilisation pour l'unité particulière en fonctionnement et ils doivent également obéir aux règles et pratiques de sécurité énoncées dans les paragraphes suivants. Avant de faire fonctionner l'unité, l'opérateur doit bien connaître les conditions de fonctionnement inhabituelles qui peuvent nécessiter des précautions de sécurité supplémentaires ou des instructions de fonctionnement spéciales.

Généralités

Avant de commencer à faire fonctionner l'unité, soyez dans une position d'opération.

Ne démarrez pas ou n'opérez pas l'unité, l'une quelconque de ses fonctions ou accessoires, depuis tout endroit autre que la position désignée pour les opérateurs.

Avant de quitter la position de l'opérateur :

- A arrêtez complètement l'unité ;
- B si l'unité doit se trouver sur un plan incliné, bloquez les roues.

Conservez une distance de sécurité depuis le bord des rampes, plateformes et autres surfaces de travail similaires.

N'effectuez aucun ajout ou aucune modification à l'unité.

Ne bloquez pas l'accès aux couloirs à incendie, escaliers ou équipement de lutte contre les incendies.

Déplacements

Donnez la priorité aux piétons et véhicules d'urgence tels que les ambulances et les camions de pompiers.

Traversez les voies ferrées de manière angulaire si possible. Ne vous garez pas à moins de 1800 mm du rail le plus proche d'une voie ferrée.

Conservez une vision claire du chemin de déplacement et prenez garde au reste de la circulation, au personnel et aux dégagements sûrs.

Opérez l'unité à une vitesse qui lui permettra d'être arrêtée de manière sûre dans toutes les conditions de déplacement.

Ne vous adonnez pas aux cascades ou à la brutalité.

Ralentissez en cas de sols mouillés et glissants.

Avant de passer sur un bord de quai ou sur la chaussée d'un pont, assurez-vous qu'il/elle est correctement fixé(e). Conduisez prudemment et lentement sur le bord de quai ou la chaussée d'un

pont et ne dépassez jamais sa capacité nominale.

Lors de la prise de virages, ralentissez à une vitesse sûre en correspondance avec l'environnement de fonctionnement. Prenez les virages en douceur.

Entretien de l'unité par l'opérateur

Si l'unité s'avère nécessiter des réparations ou être dangereuse d'une manière quelconque ou contribue à une condition dangereuse, le problème doit être rapporté immédiatement au supérieur désigné de l'utilisateur et l'unité ne doit pas être opérée jusqu'à ce qu'elle ait été remise en une condition de fonctionnement sûre.

Si l'unité devient dangereuse d'une manière quelconque au cours du fonctionnement, le problème doit être rapporté immédiatement au supérieur désigné de l'utilisateur et l'unité ne doit pas être opérée jusqu'à ce qu'elle ait été remise en une condition de fonctionnement sûre.

N'effectuez pas de réparations ou de réglages à moins d'y être autorisé spécifiquement.

PRATIQUES D'ENTRETIEN ET DE RECONSTRUCTION

Le fonctionnement de l'unité peut être dangereux si l'entretien est négligé ou si des réparations, reconstructions ou réglages ne sont pas effectués conformément aux critères de conception du constructeur. Par conséquent, des installations d'entretien (sur site ou au dehors), du personnel qualifié et des procédures détaillées doivent être fournis.

L'entretien et l'inspection de l'unité doivent être réalisés conformément aux pratiques suivantes :

- A un système d'entretien, de lubrification et d'inspection planifié doit être suivi ; consultez les recommandations du constructeur.
- B seul du personnel qualifié et autorisé doit être autorisé à effectuer l'entretien, réparer, régler et inspecter l'unité et ce conformément aux spécifications du constructeur.

Évitez les risques d'incendie et disposez d'un équipement de protection contre les incendies dans la zone de travail. N'utilisez pas de récipients ouverts d'essence ou de fluides de nettoyage inflammables pour le nettoyage des pièces.

NORME DE SECURITE INCENDIE

Toute unité ne se trouvant pas dans une condition de fonctionnement sûre doit être mise hors service.

Les réparations doivent être effectuées dans les emplacements de Classe I, Classe II et Classe III.

Prévention incendie : L'unité doit être conservée dans une condition propre et raisonnablement exempte de peluche, d'huile en excès et de graisse. Des agents non combustibles sont préférés pour le nettoyage de l'unité. Les liquides inflammables [ceux possédant des points d'inflammation à ou supérieurs à 100°F (37,8°C)] ne sont pas permis. Les précautions concernant la toxicité, la ventilation et les risques d'incendie doivent être appropriées à l'agent ou au solvant utilisé.

Visibilité de la plaque signalétique : Les désignations du type d'unité telles qu'illustrées sur la plaque signalétique et les marqueurs de type ne doivent pas être recouverts par de la peinture de sorte que les informations concernant leur identification sont obscurcies. L'unité ne doit pas être utilisée dans des zones classifiées.



Lisez attentivement ce mode d'emploi avant la première utilisation de l'appareil et respectez les conseils y figurant. Conservez ce mode d'emploi pour une utilisation ultérieure ou un éventuel repreneur de votre matériel.

Table des matières

Consignes de sécurité	FR	4
Fonction	FR	5
Utilisation conforme	FR	5
Protection de l'environnement	FR	5
Éléments de commande	FR	5
Première mise en service	FR	6
Fonctionnement	FR	6
Transport	FR	8
Entreposage	FR	8
Entretien et maintenance	FR	8
Pannes	FR	10
Caractéristiques techniques	FR	12
Garantie	FR	13
Pièces de rechange	FR	13

Consignes de sécurité

Lire la présente notice d'instructions ainsi que la brochure ci-jointe Consignes de sécurité pour les nettoyeurs à brosses n° 5.956-251.0 avant d'utiliser l'appareil et respecter les instructions.

Symboles utilisés dans le mode d'emploi

⚠ DANGER

Pour un danger immédiat qui peut avoir pour conséquence la mort ou des blessures corporelles graves.

⚠ AVERTISSEMENT

Pour une situation potentiellement dangereuse qui peut avoir pour conséquence des blessures corporelles graves ou la mort.

PRÉCAUTION

Pour une situation potentiellement dangereuse qui peut avoir pour conséquence des blessures légères ou des dommages matériels.

Fonction

L'appareil est mis en oeuvre pour nettoyer des sols plans par voie humide. Une largeur de travail de 300 mm et une capacité respective de 4 l pour le réservoir d'eau propre et le réservoir d'eau sale sont les garants pour un nettoyage efficace de petites boudelles.

Un fonctionnement par courant permet d'obtenir une capacité élevée sans limitation de la durée de travail.

Remarque

L'appareil peut être équipé de différents accessoires en fonction de l'application respective. De plus amples détails figurent dans notre catalogue ou sur notre site Internet www.kaercher.com.

Utilisation conforme

L'utilisation de l'appareil doit être faite en conformité avec les consignes figurant dans les instructions de service.



- L'appareil doit uniquement être utilisé pour nettoyer des surfaces dures non sensibles à l'humidité ni au polissage.

La plage de température pour l'utilisation est de +5°C à +40°C.

- L'appareil n'est pas approprié pour nettoyer des sols gelés (par exemple dans des entrepôts frigorifiques)
- L'appareil doit uniquement être équipé d'accessoires et de pièces de rechange d'origine.

- L'appareil a été conçu pour le nettoyage de sols dans le domaine intérieur ou bien de surfaces couvertes d'un toit.
- L'appareil n'est pas destiné au nettoyage de voies publiques.
- L'appareil n'est pas approprié pour l'application dans des environnements à risque d'explosion.

Protection de l'environnement

	Les matériaux constitutifs de l'emballage sont recyclables. Ne pas jeter les emballages dans les ordures ménagères, mais les rendre à un système de recyclage.
	Les appareils usés contiennent des matériaux précieux recyclables lesquels doivent être rendus à un système de recyclage. Des batteries, de l'huile et d'autres substances semblables ne doivent pas être tout simplement jetées. Pour cette raison, utiliser des systèmes adéquats de collecte pour éliminer les appareils usés.

Instructions relatives aux ingrédients (REACH)

Les informations actuelles relatives aux ingrédients se trouvent sous : www.kaercher.com/REACH

Éléments de commande

Figure 1, cf. page de couverture

- 1 Poignée
- 2 Commutateur pompe à eau

- 3 Interrupteur principal mode brosse / aspiration
- 4 Poignée de transport
- 5 Étrier support réservoir d'eau sale
- 6 Réservoir d'eau sale
- 7 Réservoir d'eau propre
- 8 Fermeture du réservoir d'eau propre
- 9 Tamis
- 10 Tête de nettoyage
- 11 Pédale levage barre d'aspiration
- 12 Déverrouillage position de stationnement
- 13 Tuyau d'aspiration
- 14 Connexion flexible d'aspiration
- 15 Buse d'aspiration (uniquement BR 30/4 C Adv)
- 16 Rouleau de brosse
- 17 Barre d'aspiration
- 18 Bouton de déverrouillage, brosse d'échange
- 19 Couvercle du réservoir d'eau sale
- 20 Fermeture
- 21 Affichage de l'état de remplissage
- 22 Crochet de câble, rotatif
- 23 Câble secteur avec fiche secteur
- 24 Poignée flexible d'aspiration (uniquement BR 30/4 C Adv)

Repérage de couleur

- Les éléments de commande pour le processus de nettoyage sont jaunes.
- Les éléments de commande pour la maintenance et l'entretien sont en gris clair.

Première mise en service

Figure 2, cf. page de couverture

- Insérer le tube à l'extrémité de la poignée dans l'ouverture sur l'appareil.
- Appuyer sur le cran et enfoncer la poignée jusqu'à ce qu'elle s'enclenche dans l'appareil.

Fonctionnement

Remplir le réservoir d'eau fraîche

PRÉCAUTION

Risque d'endommagement. Utiliser uniquement les détergents recommandés. Pour tout autre détergent, l'utilisateur prend des risques plus élevés quant à la sécurité du travail, au risque d'accident et à la durée de vie de l'appareil. Utiliser uniquement des détergents exempts de solvants, d'acide chlorhydrique et fluorhydrique. Respecter les consignes de sécurité figurant sur les détergents.

Remarque

Ne jamais utiliser de détergents extrêmement moussants. Tenir compte des consignes de dosage.

Détergents recommandés :

Application	Produit détergent
Nettoyant d'entretien alcalin	RM 743
Détergent ménager acide, pour zones sanitaires, piscines, etc. Enlève les dépôts de calcaire.	RM 738

- Retirer le réservoir d'eau fraîche de l'appareil.
- Ouvrir le couvercle du réservoir d'eau propre.
- Remplir de mélange détergent-eau. Température maximale du liquide, 50 °C.
- Fermer le couvercle du réservoir d'eau propre.
- Mettre le réservoir d'eau fraîche en place dans l'appareil.

Établir le raccordement de réseau

- Basculer le crochet de câble inférieur vers le haut et enlever le câble.
- Contrôler le câble d'alimentation et la fiche de secteur s'ils sont endommagés ou cassés. L'échanger doit être effectuée que par le service après-vente ou par un électricien.
- Brancher la fiche secteur dans une prise de courant.

Nettoyage

⚠ DANGER

Risque de blessure par décharge électrique à la suite d'un endommagement du câble de raccord au réseau. Ne pas faire entrer le câble de raccord au réseau en contact avec les brosses en rotation.

PRÉCAUTION

Risque d'endommagement pour le revêtement de sol. La méthode de nettoyage pour le fort encrassement doit uniquement être utilisé pour des sols qui sont appropriés à cet effet.

Risque d'endommagement pour la pompe d'eau fraîche en cas de marche à sec, si le réservoir d'eau fraîche est vide. Surveiller l'indicateur de niveau de remplissage et couper l'interrupteur de la pompe à eau si le réservoir d'eau fraîche est vide.

Salissures normales

- Amener la pédale levage de barre d'aspiration dans la position "Aspirer" (illustration 3 - Pos. "1/ON", cf. page de garde).
- Appuyer sur le déverrouillage de la position de stationnement et basculer la poignée vers l'arrière.

- Tourner l'interrupteur principal mode brosse / aspiration sur la position '1'.
- Activer l'interrupteur pompe à eau.
- Déplacer l'appareil par-dessus la surface qui doit être nettoyée.

Fort encrassement

PRÉCAUTION

Risque d'endommagement pour le revêtement de sol. La méthode de nettoyage pour le fort encrassement doit uniquement être utilisé pour des sols qui sont appropriés à cet effet.

- Mettre la pédale de levage de barre d'aspiration en position "ne pas aspirer" (illustration 3 - Pos. "0/OFF", cf. page de garde) et procéder au nettoyage comme pour l'encrassement normal. Le fluide de nettoyage reste sur la surface à nettoyer et a le temps d'agir.
- Mettre la pédale levage de barre d'aspiration dans la position "Aspirer" et parcourir une nouvelle fois la surface à nettoyer.

Aspirer dans les coins (uniquement BR 30/4 C Adv)

- Sortir le tube d'aspiration vers le haut sur la poignée, enficher la buse d'aspiration et aspirer la saleté.
- Retirer la buse, enficher de nouveau le tube d'aspiration et enclencher la poignée.

Terminer le nettoyage

- Désactiver l'interrupteur pompe à eau.
- Pousser l'appareil encore sur une courte distance pour aspirer l'eau résiduelle.

- Tourner l'interrupteur principal mode brosse / aspiration sur la position '0'.
- Pivoter la poignée vers l'avant et l'enclencher en position de stationnement.
- Débrancher la fiche secteur.

Vidange du réservoir d'eau sale

REMARQUE

Si le réservoir d'eau sale est plein, le flotteur ferme le canal d'aspiration. L'aspiration est alors interrompue. Vider le réservoir d'eau sale.

⚠ AVERTISSEMENT

Tenir compte des prescriptions locales pour le traitement des eaux usées.

- Mettre l'appareil hors tension.
- Dresser l'appareil et l'enclencher en position de stationnement.
- Retirer le réservoir d'eau fraîche de l'appareil.
- Pivoter l'étrier support du réservoir d'eau sale vers le bas et retirer le réservoir d'eau sale.
- Soulever le verrou et retirer le couvercle du réservoir d'eau sale.
- Faire couler l'eau sale.
- Puis rincer le réservoir d'eau sale à l'eau propre.
- Poser le couvercle sur le réservoir d'eau sale et l'enclencher.
- Mettre le réservoir d'eau fraîche en place dans l'appareil.

Vidange du réservoir d'eau propre

- Retirer le réservoir d'eau fraîche de l'appareil.
- Ouvrir le couvercle du réservoir d'eau propre.
- Vider le liquide de nettoyage.

- Fermer le couvercle du réservoir d'eau propre.
- Mettre le réservoir d'eau fraîche en place dans l'appareil.

Transport

PRÉCAUTION

Risque de blessure et d'endommagement ! Respecter le poids de l'appareil lors du transport.

- Pivoter la poignée vers l'avant et l'enclencher en position de stationnement.
- Pivoter la poignée vers l'arrière et pousser l'appareil

ou

- Soulever l'appareil avec la poignée et le porter.
- Sécuriser l'appareil contre les glissements ou les basculements selon les directives en vigueur lors du transport dans des véhicules.

Entreposage

PRÉCAUTION

Risque de blessure et d'endommagement ! Prendre en compte le poids de l'appareil à l'entreposage.

Cet appareil doit uniquement être entreposé en intérieur.

Entretien et maintenance

⚠ DANGER

Risque de blessure et de choc électrique par un démarrage inopiné de l'appareil.

Avant d'effectuer tout type de travaux sur l'appareil, le mettre hors service et débrancher la fiche électrique.

PRÉCAUTION

Risque de dommage pour l'appareil par eau que fuit. Vider le réservoir d'eau sale et le réservoir d'eau propre avant les travaux d'entretien sur l'appareil.

Plan de maintenance

Après le travail

PRÉCAUTION

Risque d'endommagement. Ne pas laver l'appareil au jet d'eau et ne jamais utiliser de détergents agressifs.

- Vider le réservoir d'eau sale.
- Nettoyer les joints entre le réservoir d'eau sale et l'appareil.
- Vider le réservoir d'eau propre.
- Rincer l'appareil : Remplir le réservoir d'eau propre d'eau claire (sans détergent) et utiliser l'appareil pendant une minute avec l'irrigation de brosse en service.
- Vider le réservoir d'eau propre.
- Nettoyer l'extérieur de l'appareil avec un chiffon humide et imbibé de détergent doux.
- Nettoyer la barre d'aspiration, en contrôler l'usure et la remplacer si nécessaire (cf. "travaux d'entretien").
- Contrôler l'usure de la brosse et la remplacer si nécessaire (cf. "travaux d'entretien").

Tous les ans

- L'inspection de sécurité prescrite doit être effectuée par un électricien.

Travaux de maintenance

Remplacer la barre d'aspiration

REMARQUE

Les barres d'aspiration sont fixées à l'appareil avec une connexion encliquetable et peuvent être simplement retirées.

- Amener la pédale levage de barre d'aspiration dans la position "Aspirer" (illustration 3 - Pos. "1/ON", cf. page de garde).

- Retirer le réservoir d'eau propre.
- Retirer le réservoir d'eau sale.
- Disposer l'appareil sur le côté arrière.
- Tirer la barre d'aspiration vers le bas.
- Mettre une nouvelle barre d'aspiration en place et l'enclencher.

Remplacement du rouleau de brosse

- Retirer le réservoir d'eau propre.
- Retirer le réservoir d'eau sale.
- Disposer l'appareil sur le côté arrière.
- Appuyer sur la tête de déverrouillage du rouleau de brosse et pivoter ce dernier vers le bas et le retirer de l'entraîneur.
- Enficher le nouveau rouleau de brosse sur l'entraîneur et l'enclencher du côté opposé.

Protection antigel

En cas de risque de gel :

- Vider le réservoir d'eau propre et le réservoir d'eau sale.
- Déposer l'appareil dans une pièce à l'abri du gel.

Pannes

⚠ DANGER

Risque de blessure et de choc électrique par un démarrage inopiné de l'appareil.

Avant d'effectuer tout type de travaux sur l'appareil, le mettre hors service et débrancher la fiche électrique.

PRÉCAUTION

Risque de dommage pour l'appareil par eau que fuit. Vider le réservoir d'eau sale et le réservoir d'eau propre avant les travaux d'entretien sur l'appareil.

En cas de pannes ne pouvant pas être résolues grâce aux instructions de ce tableau, appeler le service après-vente.

Panne	Remède
Il est impossible de mettre l'appareil en marche	Vérifier si la fiche secteur est branchée.
Quantité d'eau insuffisante	Contrôler le niveau d'eau propre et en cas de besoin, remplir le réservoir
	Ouvrir le verrouillage du réservoir d'eau propre. Si une dépression est constatée dans le réservoir, nettoyer la vanne de ventilation dans le verrou du réservoir d'eau propre.
	Nettoyer le distributeur d'eau (cf. "nettoyer le distributeur d'eau").
	Retirer le réservoir d'eau fraîche et vérifier si le tamis est encrassé. Retirer et nettoyer le tamis, si nécessaire.
	Retirer la soupape avec le filtre sur le réservoir d'eau propre (illustration 4, cf. page de garde) et rincer dans de l'eau tiède.
Le réservoir d'eau propre goutte lors de la remise à niveau	Retirer la soupape avec le filtre sur le réservoir d'eau propre (illustration 4, cf. page de garde) et rincer dans de l'eau tiède.

Puissance d'aspiration insuffisante	Vider le réservoir d'eau sale.
	Enclencher le réservoir d'eau sale dans l'appareil.
	Nettoyer les joints entre le réservoir d'eau sale et le couvercle et vérifier s'ils sont étanches, en cas de besoin remplacer.
	Nettoyer les joints entre le couvercle du réservoir d'eau sale et l'appareil. En cas d'endommagement des joints, se rendre au service après-vente.
	Contrôler sur la poutre d'aspiration est enclenchée dans la tête de nettoyage.
	Barre d'aspiration bouchée, la nettoyer.
	Barre d'aspiration usée, échanger les barres d'aspiration avant et arrière entre elles. Mettre de nouvelles barres d'aspiration en place lorsque les deux barres d'aspiration sont usées.
	Contrôler si les deux parties du tube d'aspiration sont correctement connectées avec la connexion de tube d'aspiration.
	Contrôler si le tube d'aspiration et le canal d'aspiration dans la tête de nettoyage sont bouchés, si nécessaire éliminer le bouchon (cf. "nettoyer le tube d'aspiration").
Vérifier si le câble repose bien à plat derrière les réservoirs et si le couvercle fourni est mis en place.	
Résultat de nettoyage insuffisant	Contrôler le degré d'usure du rouleau de brosse et le cas échéant, le remplacer.
La brosse ne tourne pas	Vérifier si des corps étrangers bloquent le rouleau de brosse et le cas échéant, éliminer les corps étrangers.
Bruit de grincement, la brosse ne tourne pas	L'embrayage de glissement s'est déclenché. Arrêter l'appareil, contrôler/nettoyer le rouleau de brosse.

Nettoyer le distributeur d'eau

- Sortir le rouleau de brosse.
- Retirer la barre de distributeur d'eau dans le tunnel de brosse (illustration 5, cf. page de garde).
- Nettoyer le canal d'irrigation et les ouvertures dans la barre de distribution d'eau à l'eau courante.

Nettoyer le tube d'aspiration

- Retirer le réservoir d'eau fraîche de l'appareil.
- Pivoter l'étrier support du réservoir d'eau sale vers le bas et retirer le réservoir d'eau sale.
- Retirer vers l'arrière la connexion du tube d'aspiration vers l'arrière et faire basculer les deux extrémités du tube d'aspiration vers l'extérieur (illustration 6, cf. page de garde).
Le tube d'aspiration est interrompu et les deux extrémités sont accessibles pour le nettoyage.
- Retirer la barre d'aspiration vers le bas, le canal d'aspiration est accessible dans la tête de nettoyage pour le nettoyage (illustration 7, cf. page de garde).
- Rincer le flexible d'aspiration et le canal d'aspiration avec de l'eau ou enlever ou pousser le bouchon avec un objet émoussé.

Caractéristiques techniques

Performances		
Tension nominale	V/Hz	120 / 1~60
Courant absorbée	A	6
Classe de protection		I
Type de protection		IPX4
Aspiration		
Puissance d'aspiration, débit d'air	gpm (l/s)	380 (24)
Puissance d'aspiration, dépression	psi (kPa)	2.0 (14)
Brosse de nettoyage		
Largeur de travail	in (mm)	11,8 (300)
Diamètre des brosses	in (mm)	2.4 (60)
Vitesse des brosses	t/min	1550
Dimensions et poids		
Surface théorique-ment nettoyable	ft ² /h (m ² /h)	2152 (200)
Volume du réservoir d'eau propre/réservoir d'eau sale	gal (l)	1 (4)
Longueur	in (mm)	15.4 (390)
Largeur	in (mm)	13.2 (335)
Hauteur	in (mm)	46.5 (1180)
Poids	lb (kg)	35.3 (16)
Valeurs déterminées selon EN 60335-2-72		
Valeur de vibrations bras-main	m/s ²	<2,5
Incertitude K	m/s ²	0,2
Niveau de pression acoustique L _{pA}	dB(A)	72
Incertitude K _{pA}	dB(A)	1
Niveau de puissance acoustique L _{WA}	dB(A)	85
Incertitude K _{WA}	dB(A)	1

Garantie

Dans chaque pays, les conditions de garantie en vigueur sont celles publiées par notre société de distribution responsable. Les éventuelles pannes sur les accessoires sont réparées gratuitement dans le délai de validité de la garantie, dans la mesure où celles-ci relèvent d'un défaut matériel ou d'un vice de fabrication. En cas de recours en garantie, adressez-vous à votre revendeur ou au service après-vente agréé le plus proche munis de votre preuve d'achat.

Pièces de rechange

N'utiliser que des accessoires et pièces de rechange d'origine, ils garantissent le bon fonctionnement de l'appareil.

Vous trouverez des informations relatives aux accessoires et pièces de rechange sur www.kaercher.com.

INSTRUCCIONES IMPORTANTES DE SEGURIDAD

LEER TODAS LAS INSTRUCCIONES ANTES DE USAR.

ADVERTENCIA

Para reducir el riesgo de fuegos, descarga eléctrica o lesiones:

- NO ABANDONAR la unidad mientras esté enchufada. Desenchufar cuando no esté en uso y antes de revisar.

ADVERTENCIA

- PARA REDUCIR EL RIESGO DE DESCARGA ELÉCTRICA, USAR SOLO EN INTERIORES
- No permita que se use como juguete. Prestar mucha atención cuando se use cerca de niños.
- Usar exclusivamente como se describe en este manual. Usar solamente con los complementos recomendados por el fabricante.
- No usar con el cable o la clavija dañados. Si el aparato no funciona como debería, se ha caído al suelo, dañado, dejado al aire libre, o caído al agua, devuélvalo a servicio o a la centralita de atención al cliente.
- No tirar del cable ni transportar el aparato cogido por el cable, no cerrar una puerta sobre el cable, ni pasar el cable por bordes o esquinas afiladas. No pasar el aparato por encima del cable. Mantener el cable alejado de superficies calientes.
- No tirar del cable para desenchufar el aparato. Para desenchufar, tire de la clavija no del cable.

- No manipular la clavija ni el aparato con las manos mojadas.
- No introducir objetos en los orificios. No usar con cualquiera de los orificios bloqueados; mantener sin polvo, pelusa, pelo y cualquier otra cosa que pueda reducir el flujo de aire.
- Mantener el cabello, la ropa floja, los dedos y todas las partes del cuerpo alejadas de los orificios y partes móviles.
- Apagar los mandos de control antes de desenchufar.
- Usar con especial cuidado cuando limpie escaleras.
- No usar para recoger líquidos inflamables o combustible, como gasolina, ni utilizar el aparato en áreas donde puedan estar presentes.
- Conectar exclusivamente a una toma con puesta a tierra. Consultar las instrucciones de puesta a tierra.

CONSERVE ESTAS INSTRUCCIONES

INSTRUCCIONES DE PUESTA A TIERRA

Este aparato debe ser puesto a tierra. Si funciona mal o se estropea, la toma a tierra ofrece una ruta de menor resistencia para la corriente eléctrica para reducir el riesgo de una descarga eléctrica.

El enchufe se debe insertar en una clavija apropiada que esté instalada correctamente y puesta a tierra de acuerdo con los códigos y normativas locales.

ADVERTENCIA

Una conexión incorrecta del conductor del equipo de toma a tierra puede provocar una descarga eléctrica.

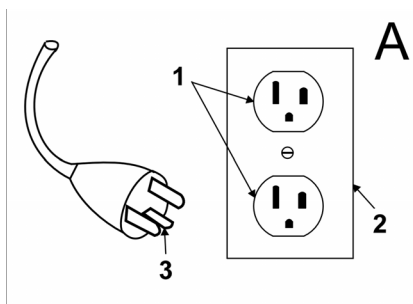
Consulte a un electricista cualificado o a un técnico si tiene dudas acerca de si el enchufe tiene la toma a tierra correcta.

No modifique el enchufe suministrado del aparato.

Si no encaja en el enchufe, solicite a un electricista cualificado que instale un enchufe correcto.

Este dispositivo está diseñado para usar en un circuito nominal de 120 V y tiene un enchufe de toma a tierra que tiene el aspecto de la figura A. Asegúrese de que el dispositivo esté conectado a una toma de corriente que tenga la misma configuración que la clavija. No se debe usar un adaptador con este equipo.

CONECTAR EXCLUSIVAMENTE A UNA TOMA DE CORRIENTE CON PUESTA A TIERRA



- 1 Toma de corriente con puesta a tierra
- 2 Caja de toma de corriente con puesta a tierra
- 3 Clavija con puesta a tierra

NORMAS Y PROCEDIMIENTOS DE SEGURIDAD DURANTE EL FUNCIONAMIENTO

Responsabilidad del operario

El operario será responsable de garantizar un funcionamiento seguro.

El operario deberá estar familiarizado con el manejo y las funciones de todos los elementos de mando y todos los instrumentos antes de proceder al manejo de la unidad.

Antes de poner en funcionamiento la unidad, los operarios deberán haber leído el manual de instrucciones de la unidad particular de que se trate y estar familiarizados con él; además, deberán respetar las normas y procedimientos de seguridad que se describen a continuación.

Antes de poner en funcionamiento una unidad cualquiera, el operario deberá conocer bien las posibles condiciones inusuales de funcionamiento que requieren la adopción de determinadas precauciones especiales o para las que existen unas instrucciones de manejo especiales.

Generalidades

Antes de poner en funcionamiento la unidad, ésta deberá encontrarse en la posición de servicio.

No ponga en marcha ni utilice la unidad ni ninguna de sus funciones o sus aditamentos desde un lugar que no sea el concebido para el operario.

Antes de abandonar la posición del operario:

A pare la unidad por completo;

B si es necesario dejar la unidad en una pendiente, bloquee las ruedas.

Guarde una distancia segura respecto a los bordes de las rampas y las plataformas, y respecto a los de otras superficies de trabajo similares.

No efectúe ampliaciones ni modificaciones en la unidad.

No bloquee el acceso a las salidas previstas en caso de incendio, las escaleras o los extintores.

Durante la circulación

Ceda el paso a los peatones y a los vehículos de emergencia, como son las ambulancias y los camiones de bomberos.

Siempre que sea posible, cruce las vías férreas formando un ángulo con ellas. No estacione a menos de 6 ft (1800 mm) de distancia respecto a los railes o las vías férreas más cercanos. Asegúrese de mantener una vista libre de obstáculos del trayecto a recorrer, respete las normas de tráfico, tenga cuidado con las personas y guarde las distancias de seguridad.

Sean cuales sean las condiciones de circulación, conduzca la unidad siempre a una velocidad tal que le permita detenerse por completo de modo seguro.

Durante la conducción, no acceda jamás a realizar acrobacias o competiciones.

Cuando circule por pisos húmedos o resbaladizos, reduzca la velocidad.

Antes de circular por un muelle o por el tablero de un puente, asegúrese de que dichos elementos estén correctamente sujetos. Conduzca con precaución y despacio por el muelle y el puente, y no sobrepase nunca la capacidad nominal de los mismos.

Cuando tenga que efectuar giros, reduzca la velocidad hasta que sea seguro efectuarlos conforme al entorno

en que esté maniobrando. Realice los giros con suavidad.

Cuidado de la unidad por parte del operario

Si se descubre la necesidad de reparar la unidad o se detecta que ésta resulta insegura de alguna manera o que contribuye a crear condiciones de inseguridad, se debe informar de inmediato a la autoridad designada por el usuario. Además, la unidad no deberá volver a utilizarse hasta que se la haya devuelto a un estado operativo seguro.

Si, durante el funcionamiento, la unidad se vuelve insegura de alguna manera, se debe informar de inmediato a la autoridad designada por el usuario. Además, la unidad no deberá volver a utilizarse hasta que se la haya devuelto a un estado operativo seguro.

No lleve a cabo reparaciones ni practique ajuste alguno a no ser que haya sido expresamente autorizado para ello.

TAREAS DE MANTENIMIENTO Y ACONDICIONAMIENTO

Si se descuida el mantenimiento o se practican en la unidad reparaciones, tareas de acondicionamiento o ajustes en los que no se respeten los criterios de diseño del fabricante, su manejo puede resultar peligroso. Por ello, se debe disponer de servicios de mantenimiento (dentro o fuera de las instalaciones), contar con personal cualificado y establecer unos modos de proceder detallados.

El mantenimiento y la inspección de la unidad deberán llevarse a cabo respetando las tareas que se indican a continuación:

A se deben seguir unos esquemas de mantenimiento, lubricación e ins-

pección conforme a su planificación; consulte las recomendaciones del fabricante.

- B el mantenimiento, las reparaciones, los ajustes y las inspecciones de la unidad sólo podrán ser llevados a cabo por personal cualificado y autorizado; además, dichas tareas se realizarán siempre de conformidad con las especificaciones del fabricante.

Evite las posibles fuentes de peligro de incendio y disponga siempre de extintores en la zona de trabajo. En la limpieza de las piezas, no use recipientes de combustible abiertos ni líquidos limpiadores inflamables.

NORMAS DE SEGURIDAD CONTRA INCENDIOS

Cuando las condiciones operativas de una unidad no sean seguras, ésta deberá ponerse fuera de servicio.

En los emplazamientos de la clase I, la clase II y la clase III está prohibido efectuar reparaciones.

Prevención contra incendios: la unidad se debe mantener limpia y debe estar razonablemente libre de pelusas, restos de aceite y grasa. Para limpiar la unidad, se recomienda usar preferiblemente agentes incombustibles. No está permitido emplear líquidos inflamables [aquellos cuyo punto de inflamación esté en 100°F (37,8°C) o por encima]. Se deben adoptar precauciones adecuadas al tipo de agente o disolvente empleado en lo que a la toxicidad, la ventilación y el peligro de incendios respecta.

Visibilidad de la placa de características: las denominaciones de tipo y las marcas de tipo de la unidad indicadas en la placa de características no deben

cubrirse con pintura que oscurezca la información identificativa allí contenida.

No se debe utilizar la unidad en zonas clasificadas.



Antes de poner en marcha por primera vez el aparato, lea el presente manual de instrucciones y siga las instrucciones que figuran en el mismo. Conserve estas instrucciones para su uso posterior o para propietarios ulteriores.

Índice de contenidos

Indicaciones de seguridad .	ES . . . 5
Función	ES . . . 5
Uso previsto	ES . . . 5
Protección del medio ambiente	ES . . . 6
Elementos de mando	ES . . . 6
Primera puesta en marcha .	ES . . . 6
Funcionamiento	ES . . . 7
Transporte	ES . . . 9
Almacenamiento	ES . . . 9
Cuidados y mantenimiento .	ES . . . 9
Averías	ES . . . 10
Datos técnicos	ES . . . 12
Garantía	ES . . . 13
Piezas de repuesto	ES . . . 13

Indicaciones de seguridad

Antes de utilizar por primera vez el equipo, lea y tenga en cuenta el presente manual de instrucciones y el folleto adjunto relativo a las instrucciones de seguridad para equipos de limpieza con cepillos 5.956-251.0.

Símbolos del manual de instrucciones

⚠ PELIGRO

Para un peligro inminente que acarrea lesiones de gravedad o la muerte.

⚠ ADVERTENCIA

Para una situación que puede ser peligrosa, que puede acarrear lesiones de gravedad o la muerte.

PRECAUCIÓN

Para una situación que puede ser peligrosa, que puede acarrear lesiones leves o daños materiales.

Función

El aparato sirve para efectuar la limpieza en húmedo de pisos llanos.

Una anchura de trabajo de 300 mm y unos depósitos de agua limpia y de agua sucia con una capacidad de 4 l respectivamente permiten llevar a cabo una limpieza efectiva de pequeñas superficies.

El funcionamiento vía red eléctrica permite obtener una elevada capacidad de rendimiento sin limitar de modo alguno el trabajo.

Nota

En función de la tarea de limpieza de que se desee realizar, es posible dotar al aparato de distintos accesorios. Solicite nuestro catálogo o visítenos en la página de internet www.kaercher.com.

Uso previsto

Utilice el aparato únicamente de conformidad con las indicaciones del presente manual de instrucciones.

- El aparato ha sido concebido exclusivamente para la limpieza de superficies duras resistentes a la humedad y al pulido.

El margen de temperaturas de servicio está comprendido entre los +5°C y los +40°C.

- El aparato no es apto para la limpieza de pisos congelados (p. ej., en almacenes frigoríficos).
- Sólo está permitido dotar al aparato de accesorios y piezas de repuesto originales.

- El aparato ha sido concebido para la limpieza de pisos en interiores o superficies techadas.
- El presente aparato no es apto para la limpieza de las vías públicas de tránsito.
- El aparato no es apto para el uso en entornos con peligro de explosión.

Protección del medio ambiente

	<p>Los materiales de embalaje son reciclables. Por favor, no tire el embalaje al cubo de basura; llévelo a un lugar de reciclaje.</p>
	<p>Los aparatos viejos contienen materiales valiosos reciclables que debieran aprovecharse. Evite el contacto de baterías, aceites y materias semejantes con el medioambiente. Deshágase de los aparatos viejos recurriendo a sistemas de recogida apropiados.</p>

Indicaciones sobre ingredientes (REACH)

Encontrará información actual sobre los ingredientes en:

www.kaercher.com/REACH

Elementos de mando

Figura 1, véase contraportada

- 1 asidero
- 2 Interruptor de la bomba de agua
- 3 Interruptor principal modo de barrido/aspiración
- 4 Asa de transporte
- 5 Asa del depósito de agua sucia
- 6 depósito de agua sucia
- 7 Depósito de agua limpia

- 8 Cierre del depósito de agua limpia
- 9 Criba
- 10 Cabezal limpiador
- 11 Pedal para subir la barra de aspiración
- 12 Desbloqueo posición de estacionamiento
- 13 Tubo de aspiración
- 14 Conexión tubo de aspiración
- 15 Boquilla de aspiración (solo BR 30/4 C Adv)
- 16 cepillo rotativo
- 17 barra de aspiración
- 18 Botón de desbloqueo, cepillo cambiabile
- 19 Tapa del depósito de agua sucia
- 20 Cierre
- 21 Indicador de nivel
- 22 Gancho de cable, giratorio
- 23 Cable de alimentación con enchufe de clavija de red
- 24 Asa boquilla de aspiración (solo BR 30/4 C Adv)

Identificación por colores

- Los elementos de control para el proceso de limpieza son amarillos.
- Los elementos de control para el mantenimiento y el servicio son de color gris claro.

Primera puesta en marcha

Figura 2, véase contraportada

- ➔ Insertar el tubo al final del asa en el orificio del aparato.
- ➔ Presionar las muescas e introducir el asa hasta que encaje en el aparato.

Funcionamiento

Rellenar el depósito de agua limpia

PRECAUCIÓN

Peligro de daños. Utilice únicamente el detergente recomendado. En caso de usar otros detergentes, el propietario-usuario asume unos mayores riesgos en lo que a la seguridad durante el funcionamiento, al peligro de sufrir accidentes y la reducción de la vida útil del aparato se refiere. Utilice únicamente detergentes que no contengan disolventes, ácidos clorhídricos ni ácidos hidrofúoricos.

Tener en cuenta las indicaciones de seguridad de los detergentes.

Nota

No utilice detergentes altamente espumosos. Respete las indicaciones de dosificación.

Detergente recomendado:

Empleo	Detergente
Detegente de mantenimiento alcalino	RM 743
Detergente de mantenimiento ácido, para áreas sanitarias, piscinas, etc. Elimina los depósitos de cal.	RM 738

- Extraer el depósito de agua fresca del aparato.
- Abra la tapa del depósito de agua limpia.
- Añadir mezcla de agua y detergente. Temperatura máxima del líquido 50 °C.
- Cierre la tapa del depósito de agua limpia.

- Colocar el depósito de agua limpia en el aparato.

Establecimiento de la conexión a red

- Desplace el gancho de cable inferior hacia arriba y extraiga el cable.
- Comprobar si el cable de alimentación y la clavija están dañados o rotos. Sólo los puede cambiar el servicio técnico o un electricista.
- Enchufar la clavija de red a una toma de corriente.

Limpieza

⚠ PELIGRO

Riesgo de lesiones por descarga eléctrica debido a un conducto de alimentación dañado. No permitir que el conducto de alimentación entre en contacto con los cepillos rotativos.

PRECAUCIÓN

Peligro de daños para el revestimiento del suelo. El método de limpieza para mucha suciedad solo debe utilizarse en suelos apropiados para el mismo. Riesgo de daños para la bomba de agua limpia en caso de marcha en seco si el depósito de agua limpia está vacío. Monitorizar el indicador de nivel y desconectar el interruptor de la bomba de agua cuando el depósito de agua limpia esté vacío.

Suciedad normal

- Ponga el pedal para subir la barra de aspiración en posición „aspiración“ (Figura 3 - Posición „1/ON“, véase la contraportada).
- Pulsar desbloqueo posición de estacionamiento e inclinar hacia atrás el asa.
- Coloque el interruptor principal modo de barrido/aspiración en la posición "1".

- Encender el interruptor de la bomba de agua.
- Mover el aparato sobre la superficie a limpiar.

Mucha suciedad

PRECAUCIÓN

Peligro de daños para el revestimiento del suelo. El método de limpieza para mucha suciedad solo debe utilizarse en suelos apropiados para el mismo.

- Ponga el pedal para subir la barra de aspiración en posición „no aspirar“ (Figura 3 - Posición „0/OFF“, véase la contraportada) y efectuar limpieza como para suciedad normal. El detergente líquido se mantiene en la superficie a limpiar y tiene tiempo para actuar.
- Ponga el pedal para subir la barra de aspiración en posición „aspiración“ y recorra otra vez la superficie a limpiar.

Aspiración en esquinas (solo BR 30/4 C Adv)

- Extraer el tubo de aspiración del asa, insertar la boquilla de aspiración y aspirar la suciedad.
- Retirar la boquilla, volver a colocar el tubo de aspiración y encajar el asa.

Finalizar la limpieza

- Desconectar el interruptor de la bomba de agua.
- Desplazar todavía un poco el aparato para aspirar el agua restante.
- Coloque el interruptor principal modo de barrido/aspiración en la posición "0".
- A continuación girar hacia delante y enclavar en posición de estacionamiento.
- Saque el enchufe de la toma de corriente.

Vaciado del depósito de agua sucia

AVISO

Cuando el depósito de agua sucia está lleno, el flotador cierra el canal de admisión. La aspiración se interrumpe. Vaciar el depósito de agua sucia.

⚠ ADVERTENCIA

Respetar la normativa local vigente en materia de tratamiento de aguas residuales.

- Desconexión del aparato
- Colocar el aparato y enclavar en posición de estacionamiento.
- Extraer el depósito de agua fresca del aparato.
- Girar el asa del depósito de agua sucia hacia abajo y retirar el depósito de agua sucia.
- Levantar el cierre y extraer la tapa del depósito de agua sucia.
- Verter el agua sucia.
- A continuación, aclare el depósito de agua sucia con agua limpia.
- Colocar la tapa sobre el depósito de agua sucia y enclavar.
- Insertar el depósito de agua limpia en el aparato.

Vaciado del depósito de agua limpia

- Extraer el depósito de agua fresca del aparato.
- Abra la tapa del depósito de agua limpia.
- Verter el detergente líquido.
- Cierre la tapa del depósito de agua limpia.
- Colocar el depósito de agua limpia en el aparato.

Transporte

PRECAUCIÓN

¡Peligro de lesiones y daños! Respetar el peso del aparato para el transporte.

- A continuación girar hacia delante y enclavar en posición de estacionamiento.
- Inclinar hacia atrás el asa y empujar el aparato
- o
- Levante el aparato por el asa y de sopórtelo.
- Al transportar en vehículos, asegurar el aparato para evitar que resbale y vuelque conforme a las directrices vigentes.

Almacenamiento

PRECAUCIÓN

¡Peligro de lesiones y daños! Respetar el peso del aparato en el almacenamiento.

Este aparato sólo se puede almacenar en interiores.

Cuidados y mantenimiento

⚠ PELIGRO

Peligro de lesiones causadas por un aparato que se arranque involuntariamente y descarga eléctrica.

Antes de efectuar cualquier trabajo en el aparato, hay que desconectar de la red eléctrica.

PRECAUCIÓN

Si se sale agua se puede dañar el aparato. Vaciar el depósito de agua sucia y el depósito de agua limpia antes de realizar tareas de mantenimiento en el aparato.

Plan de mantenimiento

Después del trabajo

PRECAUCIÓN

Peligro de daños. No salpique al aparato con agua ni utilice detergentes agresivos.

- Vacíe el depósito de agua sucia.
- Limpiar juntas entre el depósito de agua sucia y el aparato.
- Vaciar el depósito de agua limpia.
- Enjuagar el aparato: Llenar el depósito de agua limpia con agua limpia (sin detergente) y hacer funcionar un minuto el aparato con la irrigación de cepillos conectada.
- Vaciar el depósito de agua limpia.
- Limpie el aparato por fuera con un trapo húmedo ligeramente empapado en una solución jabonosa suave.
- Limpie las barras de aspiración; compruebe si presentan desgaste y, en caso necesario, cambiar (ver "Trabajos de mantenimiento").
- Compruebe si los cepillos presentan desgaste y, en caso necesario, cámbielos (véase "Trabajos de mantenimiento").

Anualmente

- Encargue a un electricista la revisión de seguridad obligatoria.

Trabajos de mantenimiento

Cambiar la barra de aspiración

AVISO

Las barras de aspiración están fijadas con una conexión de enganche al aparato y pueden retirarse fácilmente.

- Ponga el pedal para subir la barra de aspiración en posición „aspiración“ (Figura 3 - Posición „1/ON“, véase la contraportada).

Averías

- Extraer el depósito de agua limpia.
- Extraer el depósito de agua sucia.
- Colocar el aparato sobre la parte trasera.
- Sacar la barra de aspiración empujándola hacia abajo.
- Coloque las barras de aspiración nuevas y encájelas.

Cambio del cepillo rotativo

- Extraer el depósito de agua limpia.
- Extraer el depósito de agua sucia.
- Colocar el aparato sobre la parte trasera.
- Presionar el botón de desbloqueo del cepillo rotativo y girar cepillo rotativo hacia abajo y extraer del arrastrador.
- Insertar los nuevos cepillos rotativos en el arrastrador y encajarlos en el lado contrario.

Protección antiheladas

En caso de peligro de heladas:

- Vacíe el depósito de agua limpia y el depósito de agua sucia.
- Guarde el aparato en un lugar protegido de las heladas.

⚠ PELIGRO

Peligro de lesiones causadas por un aparato que se arranque involuntariamente y descarga eléctrica.

Antes de efectuar cualquier trabajo en el aparato, hay que desconectar de la red eléctrica.

PRECAUCIÓN

Si se sale agua se puede dañar el aparato. Vaciar el depósito de agua sucia y el depósito de agua limpia antes de realizar tareas de mantenimiento en el aparato.

Cuando las averías no se puedan solucionar con ayuda de la tabla que aparece a continuación, acuda al servicio técnico.

Avería	Modo de subsanarla
No se puede poner en marcha el aparato	Compruebe si está enchufada la clavija de red
Caudal de agua insuficiente	Compruebe el nivel de agua limpia y, de ser necesario, llene el depósito.
	Abrir el cierre del depósito de agua limpia. Si al abrir se detecta una depresión en el depósito, limpiar la válvula de ventilación en el cierre del depósito de agua limpia.
	Limpiar distribuidor de agua (véase "Limpiar distribuidor de agua").
	Extraer el depósito de agua limpia y comprobar la suciedad del filtro. Si es necesario extraer y limpiar el filtro.
	Tirar de la válvula con filtro del depósito de agua limpia (imagen 4, véase la contraportada) y enjuagar con agua templada.

El depósito de agua limpia gotea al rellenarlo	Tirar de la válvula con filtro del depósito de agua limpia (imagen 4, véase la contraportada) y enjuagar con agua templada.
Potencia de aspiración insuficiente	Vacíe el depósito de agua sucia.
	Encajar el depósito de agua sucia en el aparato.
	Limpie las juntas situadas entre el depósito de agua sucia y la tapa; compruebe su estanqueidad y, en caso necesario, cámbielas
	Comprobar las juntas que hay entre la tapa del depósito de agua sucia y el aparato. Si las juntas están dañadas, llamar al servicio técnico.
	Comprobar si las barras de aspiración están encajadas en los cabezales limpiadores.
	Barra de aspiración obstruida, limpiar.
	Las barras de aspiración desgastadas, sustituir las barras de aspiración delanteras por las traseras. Si ambas barras de aspiración están desgastadas, colocar nuevas barras de aspiración.
	Comprobar si las dos partes del tubo de aspiración están correctamente conectadas con la conexión del tubo de aspiración.
	Compruebe si el tubo de aspiración y el canal de aspiración del cabezal limpiador están obstruidos y, de ser necesario, desatásquelos (ver "limpiar tubo de aspiración")
Comprobar si el cable está colocado plano detrás de los depósito y está puesta la tapa suministrada.	
Resultados de limpieza insuficientes	Compruebe si los cepillos rotativos presentan desgaste y, en caso necesario, cámbielos.
Los cepillos no giran	Compruebe si hay cuerpos extraños bloqueando los cepillos rotativos y, de ser así, elimínelos.
Crujidos. El cepillo no gira	El acoplamiento deslizante se ha activado. Desconexión del aparato, comprobar/limpiar el cepillo rotativo.

Limpiar el distribuidor de agua

- Extraer los cepillos rotativos.
- Sacar las tiras de distribución de agua del canal de los cepillos (Figura 5, véase contraportada).
- Limpiar canal de irrigación y orificios en las tiras del distribuidor de agua con agua corriente.

Limpiar tubo de aspiración

- Extraer el depósito de agua fresca del aparato.
- Girar el asa del depósito de agua sucia hacia abajo y retirar el depósito de agua sucia.
- Sacar del aparato la conexión del tubo de aspiración empujando hacia atrás y extraer, girando, ambos extremos del tubo de aspiración (Figura 6, ver contraportada).

El tubo de aspiración queda interrumpido y ambos extremos son accesibles para poder limpiarlos.

- Retirar hacia abajo la barra de aspiración, el canal de aspiración del cabezal limpiador queda accesible para la limpiezas (Figura 7, ver contraportada).
- Enjuagar con agua la manguera de aspiración y el canal de aspiración o sacar la causa de la obstrucción estirando o empujando con un objeto obtuso.

Datos técnicos

Potencia		
Tensión nominal	V/Hz	120 / 1~60
Consumo de corriente	A	6
Clase de protección		I
Categoría de protección		IPX4
Aspirar		
Potencia de aspiración, caudal de aire	gpm (l/s)	380 (24)
Potencia de aspiración, depresión	psi (kPa)	2.0 (14)
Cepillo de limpieza		
Anchura de trabajo	in (mm)	11,8 (300)
Diámetro cepillos	in (mm)	2.4 (60)
Nº de rotaciones de los cepillos	1/min	1550
Medidas y pesos		
Potencia teórica por metro cuadrado	ft ² /h (m ² /h)	2152 (200)
Volumen de los depósitos de agua limpia y agua sucia	gal (l)	1 (4)
Longitud	in (mm)	15.4 (390)
Anchura	in (mm)	13.2 (335)
Altura	in (mm)	46.5 (1180)
Peso	lb (kg)	35.3 (16)
Valores calculados conforme a la norma EN 60335-2-72		
Valor de vibración mano-brazo	m/s ²	<2,5
Inseguridad K	m/s ²	0,2
Nivel de presión acústica L _{pA}	dB(A)	72
Inseguridad K _{pA}	dB(A)	1
Nivel de potencia acústica L _{WA}	dB(A)	85
Inseguridad K _{WA}	dB(A)	1

Garantía

En todos los países rigen las condiciones de garantía establecidas por nuestra empresa distribuidora. Las averías del accesorio serán subsanadas gratuitamente dentro del periodo de garantía, siempre que se deban a defectos de material o de fabricación.

En un caso de garantía, le rogamos que se dirija con el comprobante de compra al distribuidor donde adquirió el aparato o al servicio al cliente autorizado más próximo a su domicilio.

Piezas de repuesto

- Sólo deben emplearse accesorios y piezas de repuesto originales o autorizados por el fabricante. Los accesorios y piezas de repuesto originales garantizan el funcionamiento seguro y sin averías del aparato.
- Podrá encontrar una selección de las piezas de repuesto usadas con más frecuencia al final de las instrucciones de uso.
- En el área de servicios de www.kaercher.com encontrará más información sobre piezas de repuesto.



<http://www.kaercher.com/dealersearch>

