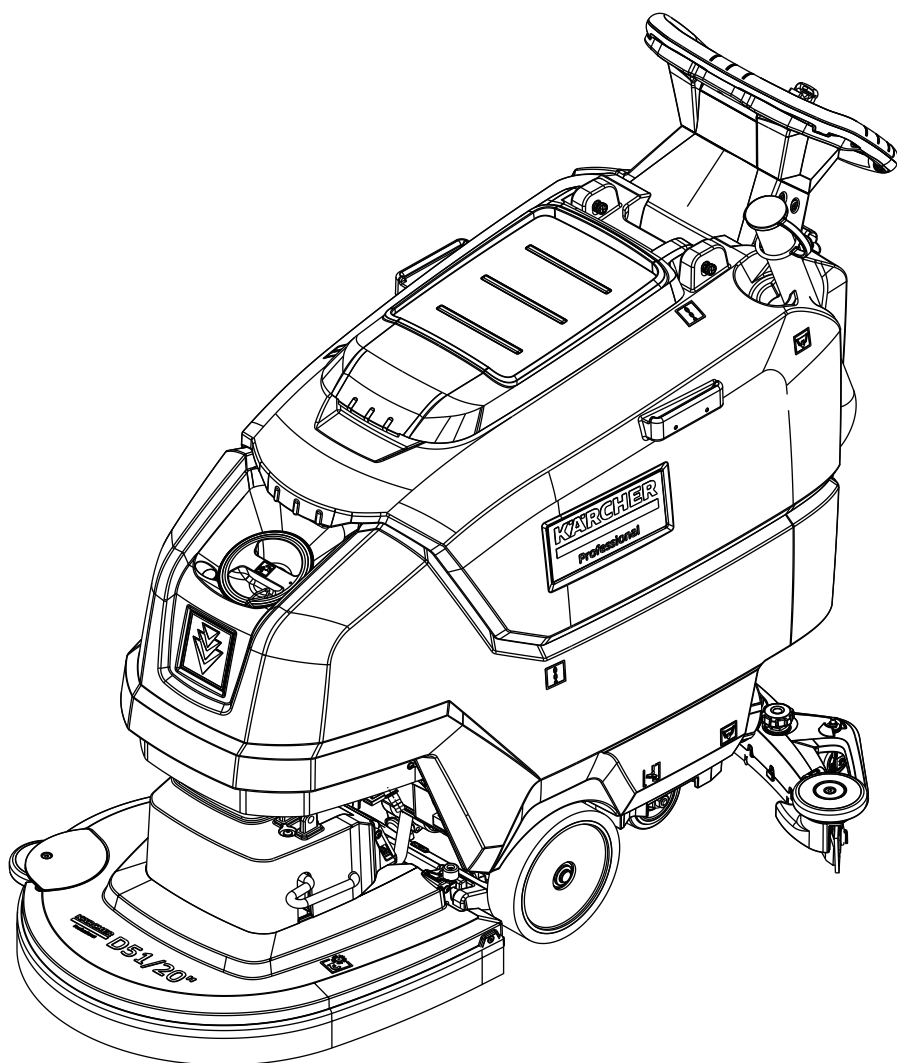


KÄRCHER

makes a difference

BD 50/55 C Classic Bp
BD 50/55 W Classic Bp



**Register
your product**

www.kaercher.com/welcome



97637410 (02/22)

Contents

General notes	10
Function	10
Intended use	10
Environmental protection	10
Accessories and spare parts	10
Scope of delivery	10
Safety instructions	10
Description of the unit	11
Installation	12
Initial startup	12
Operation	13
Transport	13
Storage	14
Care and service	14
Troubleshooting guide	15
Warranty	15
Accessories	15
Technical data	15

Safety instructions

Before using the device for the first time, read and observe these operating instructions and the accompanying brochure: Safety information for brush cleaning units spray retraction devices, No. 5.956-251.0.
The device is approved for operation on surfaces with a specified limited slope (see Chapter *Technical data*).
⚠ WARNING
Device tipping over
Danger of injury
Do not operate the device on sloping surfaces.
The device may only be operated when the hood and all covers are closed.

Safety devices

⚠ CAUTION
Missing or modified safety devices
Safety devices are provided for your own protection.
Never modify or bypass safety devices.

Safety switch

The device switches off when the safety switch is released.

Key-operated switch



Pulling the key out of the key-operated switch secures the device against unauthorised use.

Warning symbols

Observe the following warnings when handling the batteries:

	Observe notes in the instructions for the battery, on the battery and in these operating instructions.
	Wear eye protection.
	Keep acids and batteries away from children.
	Risk of explosion
	Fire, sparks, open flames and smoking are prohibited.
	Risk of acid burns
	First aid.
	Warning
	Disposal
	Do not throw batteries in the bin.

General notes

  Read these original operating instructions and the enclosed safety instructions before using the device for the first time. Proceed accordingly.
Keep both books for future reference or for future owners.

Function

This scouring and vacuum machine is used for wet cleaning of level floors.
The device can be adjusted to suit the respective cleaning task by setting the water volume and detergent volume appropriately. The detergent dosing is adjusted via the amount added to the tank.
The working width and the capacity of the fresh and waste water tanks (see chapter *Technical data*) enable effective cleaning with a long working time.
BD 50/55 W Classic Bp is with a drive motor.
BD 50/55 C Classic Bp is without a drive motor.

Note


The device can be equipped with various accessories to suit the respective cleaning task. Request a copy of our catalogue or visit our Internet website at www.kaercher.com.


Intended use

This device is suitable for commercial and industrial use, e.g. in hotels, schools, hospitals, factories, shops, offices, and rental companies. Use the device only in accordance with the information in these operating instructions.

- The device may only be used for cleaning smooth surfaces that are insensitive to water and polishing.
- The device is not suitable for cleaning frozen floors (e.g. in cold stores).
- The device is not suitable for use in potentially explosive environments.
- The device is approved for operation on surfaces with a maximum slope (see chapter *Technical data*).

Environmental protection

 The packing materials can be recycled. Please dispose of packaging in accordance with the environmental regulations.

 Electrical and electronic appliances contain valuable, recyclable materials and often components such as batteries, rechargeable batteries or oil, which - if handled or disposed of incorrectly - can pose a potential threat to human health and the environment. However, these components are required for the correct operation of the appliance. Appliances marked by this symbol are not allowed to be disposed of together with the household rubbish.

Notes on the content materials (REACH)

Current information on content materials can be found at: www.kaercher.com/REACH

Accessories and spare parts

Only use original accessories and original spare parts. They ensure that the appliance will run fault-free and safely.

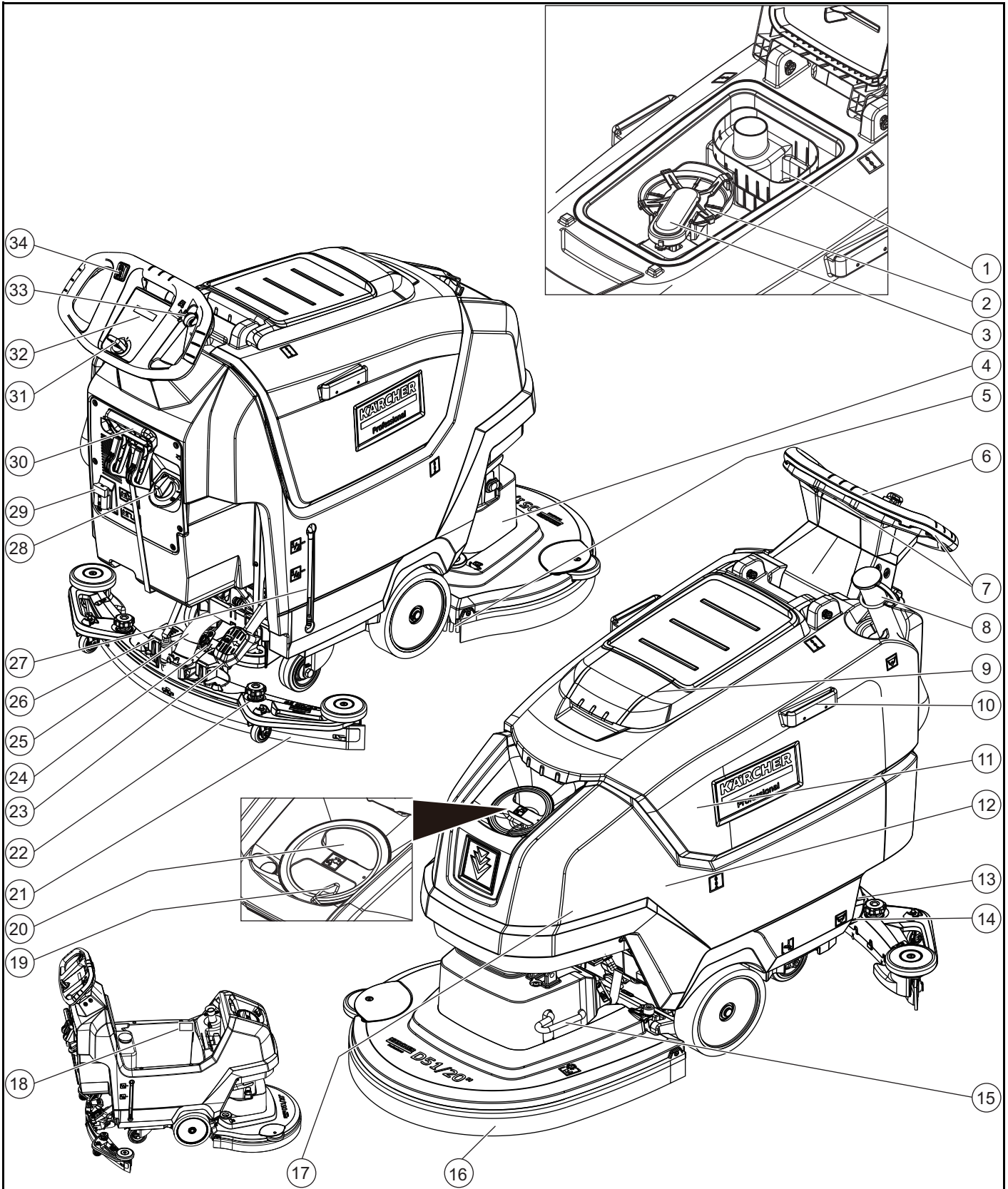
Information on accessories and spare parts can be found at www.kaercher.com.

Scope of delivery

Check the contents for completeness when unpacking. If any accessories are missing or in the event of any shipping damage, please notify your dealer.

Description of the unit

Overview of the unit



- | | | |
|--|----------------------------|--|
| ① Coarse dirt filter | ⑩ Home base retaining rail | ⑲ Hose clamp |
| ② Fluff filter | ⑪ Waste water tank | ⑳ Fresh water tank filling funnel |
| ③ Float | ⑫ ** Battery | ㉑ Suction bar |
| ④ Brush head | ⑬ Fresh water filter | ㉒ Suction bar closure |
| ⑤ Disk brush | ⑭ Fresh water tank drain | ㉓ Brush head pedal |
| ⑥ Handle | ⑮ Brush release pedal | ㉔ Suction bar inclination adjustment |
| ⑦ Safety switch | ⑯ Splash guard | ㉕ Suction hose |
| ⑧ Waste water tank drain hose with dosing unit | ⑰ Fresh water tank | ㉖ Eccentric lever
For fastening the suction bar |
| ⑨ Waste water tank lid | ⑱ Rating plate | |

- 27 Fresh water filling level display
- 28 Water volume regulation knob
- 29 Battery plug connector
- 30 Suction bar lever
- 31 Key-operated switch
- 32 Display
- 33 Working speed rotary knob
(Only for BD 50/55 W Classic Bp)
- 34 Driving direction switch
(Only for BD 50/55 W Classic Bp)

** Not in scope of delivery

Colour coding

- The control elements for the cleaning process or daily maintenance are yellow.
- The control elements for maintenance and servicing are light grey.

Symbols on the device



Fresh water tank drain opening



Waste water tank drain opening



Fresh water tank filling level (25%)



Insert the charger plug here



Lashing point



* Mop holder



ATTENTION
Incorrect socket
Risk of damage
DO NOT insert the charger plug here



Pedal for raising/lowering the brush head



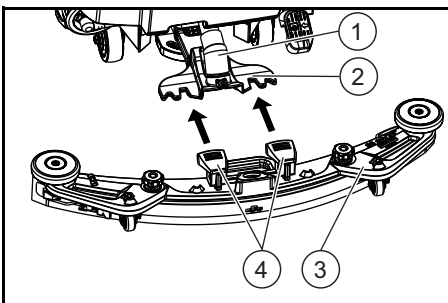
Brush release pedal

* optional

Installation

Installing the suction bar

1. Pivot both clamping levers upwards.



- 1 Suction hose
- 2 Suction bar suspension
- 3 Suction bar
- 4 Clamping lever

2. Insert the suction bar in the suction bar mount.
3. Pivot both clamping levers downwards.

Batteries

Recommended battery sets BD 50/55

Description	Order no.
115 Ah - Maintenance-free	2.815-091.0

Description	Order no.
80 Ah - Maintenance-free	2.815-090.0
76 Ah - Maintenance-free	2.815-099.0
105 Ah - Maintenance-free	2.815-100.0

Low-maintenance batteries (wet batteries)

⚠ DANGER

Refilling discharged batteries with water

Danger of acid burns from escaping acid, destruction of clothing

Wear safety goggles when handling the batteries.

Observe the applicable regulations.

Immediately rinse off any splashed acid from the skin or clothing using copious amounts of water.

ATTENTION

Using water with additives

Defective batteries, loss of warranty eligibility

Top up the batteries using only distilled or desalinated water (EN 50272-T3).

Do not use any foreign additives, so-called enhancing agents, because this will invalidate the warranty.

1. Add distilled water one hour before the charging process comes to an end. Observe the correct acid level according to the battery label.
All cells must produce gas at the end of the charging process.

Maintenance-free batteries (AGM and gel batteries)

ATTENTION

Risk of damage when opening AGM and gel batteries!

AGM and gel batteries are maintenance-free and have a closed battery housing. Refilling them with distilled water or battery acid is not possible and is not necessary. Opening or drilling the battery housing will damage an AGM or gel battery. It must then be replaced. Do not open the battery housing and do not drill any holes.

Do not cover the pressure relief valve and do not change it.

1. Only charge AGM and gel batteries using the specified chargers, see chapter: *Charging the battery.*

Installing and connecting batteries

⚠ CAUTION

Removing and installing the batteries

Unstable machine position

Ensure that the machine is positioned stably when removing and installing the batteries.

ATTENTION

Incorrect connection polarity

Destruction of the control electronics

Take care to ensure the correct polarity when connecting the batteries.

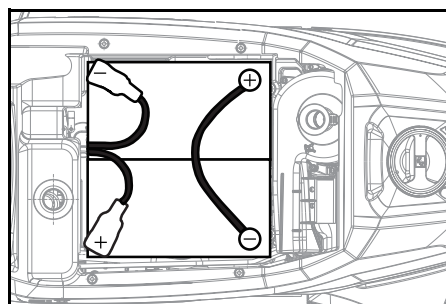
ATTENTION

Deep discharge

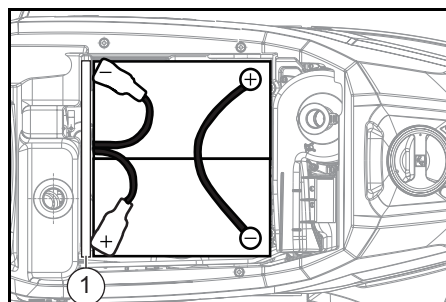
Risk of damage

Charge the batteries before starting the device.

1. Drain the waste water.
2. Lift up the waste water tank, and set it aside.
3. Place the battery in the device as shown.



115 Ah, 2.815-091.0
80 Ah, 2.815-090.0
105 Ah, 2.815-100.0



76 Ah, 2.815-099.0

- 1 Spacers

4. Connect the poles to the connection cables from the battery installation kit.
5. Clamp the connecting cables on the (+) and (-) battery terminals that are still free.
6. Connect the device-side battery connector to the battery-side battery connector.
7. Recover the waste water tank.

Removing the battery

⚠ CAUTION

Removing and installing the batteries

Unstable machine position

Ensure that the machine is positioned stably when removing and installing the batteries.

1. Turn the key-operated switch to "0", and remove the key.
2. Disconnect the battery plug.
3. Drain the waste water.
4. Lift up the waste water tank, and set it aside.
5. Disconnect the device-end cable from the negative terminal of the battery.
6. Disconnect the remaining cables from the battery.
7. Remove the battery.
8. Dispose of the used batteries in accordance with statutory provisions.

Initial startup

Charging the battery

⚠ DANGER

Inappropriate use of the charger

Electric shock

Adhere to the mains voltage and fuse values specified on the device type plate.

Only use the charger in dry rooms with sufficient ventilation.

ATTENTION

Accumulation of dangerous gases under the tank during the charging process

Risk of explosion

Pivot the waste water tank upwards before charging low-maintenance batteries.

ATTENTION

Using an unsuitable charger

Risk of damage

Do not connect the charger to the device-side battery connector.

Use only a charger suitable for the type of battery installed.

Read the operating instructions of the charger manufacturer and observe the safety instructions in particular.

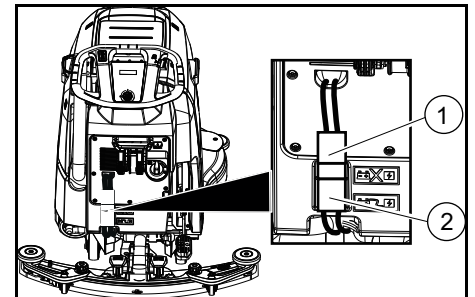
Battery set	Capacity	Charger
2.815-091.0	115 Ah	6.654-329.0
2.815-090.0	80 Ah	6.654-329.0
2.815-099.0	76 Ah	6.654-329.0
2.815-100.0	105 Ah	6.654-329.0

The average charging time is approx. 10-15 hours. The device cannot be used during the charging process.

Note

The device has deep discharge protection, i.e. the brush motor and turbine are switched off automatically when the permitted minimum capacity level is reached.

1. Drive the device directly to the charger and do not drive on slopes.
2. Pull out the device-side battery connector.



- 1 Battery connector, device side
- 2 Battery connector, battery side
3. Connect the battery-side battery connector to the charger.
4. Plug the mains plug of the charger into the socket.
5. Carry out the charging process in accordance with the operating instructions for the charger.

- Connect the device-side battery connector to the battery-side battery connector.

Operation

ATTENTION

Risks during operation

Danger of injury

Release the safety switch in the case of danger.

Filling with operating materials

Filling with fresh water

- Open the fresh water tank cap.
- Fill fresh water (max. 50 °C) to the lower edge of the filling funnel.

Note

The fresh water hose can be clamped in place using the hose clip while filling.

- Close the fresh water tank cap.

Notes on detergents

⚠ WARNING

Unsuitable detergents

Health risk, damage to the device

Use only recommended detergents. The operator carries all increased risks relating to operational safety and increased risk of accidents if using other detergents.

Use only detergents free of solvents, salt and hydrofluoric acid.

Adhere to the safety instructions stated on the detergent packaging.

Note

Do not use heavily foaming detergent.

Recommended detergents

Usage	Detergent
Maintenance cleaning of all water-resistant floors	RM 746 RM 756 RM 780
Maintenance cleaning of polished hard surfaces (e.g. granite)	RM 755 es
Maintenance cleaning and basic cleaning of industrial floors	RM 69 ASF
Maintenance cleaning and basic cleaning of fine stone tiles	RM 753
Maintenance cleaning of tiles in sanitary areas	RM 751
Cleaning and disinfection in sanitary areas	RM 732
Coating removal on all alkaline-resistant floors (e.g. PVC)	RM 752
Coating removal on linoleum floors	RM 754

Detergent

- Fill the detergent into the fresh water tank.

Note

The cap for the fresh water tank filling funnel can be used for measuring the correct quantity of detergent. It has a measuring scale marked on the inner side.

Adjusting the water volume

- Adjust the water volume via the regulating knob to suit the degree of soiling of the floor covering.

Note

Perform initial cleaning tests with a low water volume. Increase the water volume step by step until achieving the desired cleaning result.

Note

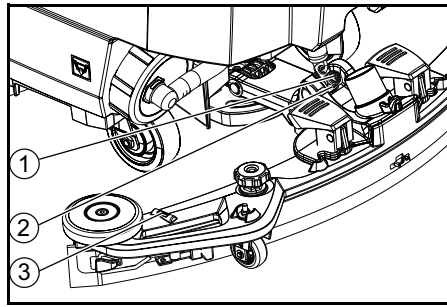
The brush head continues operating without a liquid supply if the fresh water tank is empty.

Adjusting the suction bar

Adjusting the inclination

The inclination must be adjusted so that the suction lips of the suction bar make even contact with the floor over the entire length of the suction bar.

- Park the device on a surface without a slope.
- Turn the key-operated switch to "ON". Put down the suction bar.
- Drive the device a small distance forwards.
- Read the spirit level.



- Screw
- Nut
- Spirit level

- Unscrew the nut.
- Adjust the screw so that the spirit level indicator is between the two lines.
- Tighten the nut.
- To check the new setting, move the device forward again a short distance. Repeat the adjustment process if necessary.
- Turn the key-operated switch to "OFF".

Adjusting the height

The height adjustment affects the bending of the suction lips on contact with the floor.

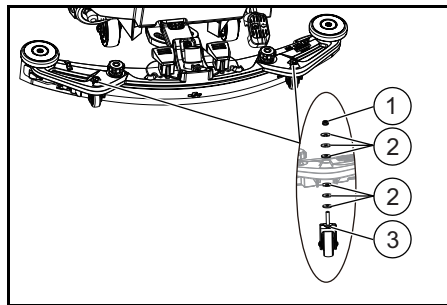
Note

Standard setting: 3 washers above, 3 washers below the suction bar.

Uneven floor: 5 washers above, 1 washer below the suction bar.

Very smooth floor: 1 washer above, 5 washers below the suction bar.

- Unscrew the nuts.



- Nut
- Washer
- Spacer roller with holder

- Place the desired number of washers between the suction bar and the spacer roller.
- Fit the remaining unused washers above the spacer roller.
- Screw on the nut and tighten.
- Repeat the entire procedure with the second spacer roller.

Note

Set both spacer rollers to the same height.

Cleaning

Switching on the device

- Turn the key-operated switch to "1". The display shows the following one after the other:
 - Kärcher
 - Charging state of the battery and number of operating hours
 - Period of time until the next after-sales servicing for the customer
 - Software version, control panel
 - Charging state of the battery and number of operating hours (for BD 50/55 C Classic Bp)
 - Charging state of the battery and speed (for BD 50/55 W Classic Bp)

Driving

Note

The direction of travel can be changed during the cleaning operation. This way, a certain position can be intensively cleaned by driving back and forth several times.

- Set the driving direction switch to "forward".

Cleaning

Note

The inclination and height of the suction bar can be adjusted to improve the vacuuming results (see chapter Adjusting the suction bar).

Note

When the waste water tank is full, the float switch closes the suction opening and the suction turbine runs at a higher speed. In this case, raise the suction bar and drive to the location for emptying the waste water tank.

- Turn the working speed rotary knob to the desired value. The speed is shown on the display during the adjustment. The display is shown in percentage of the maximum speed.
- Set the water volume at the regulating valve.
- Press the suction bar lever downwards. The suction bar lowers. Vacuuming begins.
- Press the brush head pedal downwards, unlatch it and allow it to move upwards.
- Pull the safety switch towards the push handle. The brush head starts up and the device moves at the set speed.

Finishing operation

Finishing cleaning

- Let go of the safety switch.
- Press the brush head pedal down and latch it in place.
- Continue moving a short distance. The residual water is vacuumed up.
- Lift the suction bar. The suction continues to run for 10 seconds.
- Turn the key-operated switch to "0".
- Charge the battery if necessary.

Draining the waste water

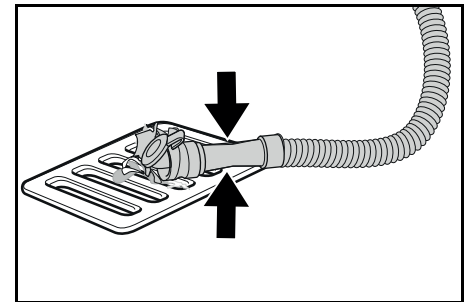
⚠ WARNING

Improper disposal of waste water

Environmental pollution

Observe the local waste water treatment regulations.

- Remove the drain hose from the support and lower it over a suitable collecting device.



- Press the dosing unit together or kink the hose.
- Open the dosing unit cover.
- Drain the waste water. Regulate the water volume by pressing or kinking.
- Rinse the waste water tank with clear water.

Quickly draining fresh water

- Unscrew the fresh water drain cap.
- Allow the fresh water to drain away.
- Fit the fresh water drain cap and screw into place.

Note

Take care to ensure that the hose connection in the fresh water tank cap is positioned at the lowest point in the tank after screwing the cap in place.

Transport

⚠ DANGER

Driving on slopes

Risk of injury

Observe the maximum permissible inclination when driving the device on slopes for loading and unloading purposes (see Chapter Technical data).

Drive slowly.

⚠ CAUTION

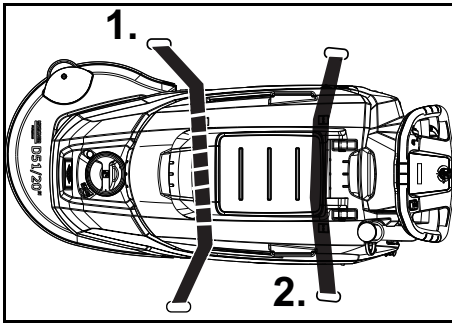
Failure to observe the weight

Risk of injury and damage

Be aware of the weight of the device during transport. Only load the device with the assistance of another person or by using the drive.

- Press the brush head pedal down, and latch it in place.
- Raise the suction bar.
- Turn the key-operated switch to "1".
- Select the travel direction with the travel direction switch.
- Pull the safety switch towards the push handle.

- When transporting in vehicles, secure the device against slipping and tipping over according to the applicable guidelines.



Storage

⚠ CAUTION

Failure to observe the weight

Risk of injury and damage

Be aware of the weight of the device during storage.

ATTENTION

Frost

Destruction of the device through freezing water

Drain all water from the device.

Store the device in a frost-free location.

- This device may only be stored indoors.
- Fully charge the batteries before storing them for a long period.
- Fully charge the batteries at least every month during storage.

Care and service

⚠ DANGER

Inadvertently starting up device

Risk of injury, electric shock

Turn the key-operated switch to "0" and remove the key before performing any work on the device.

Pull out the charger mains plug.

- Drain and dispose of the waste water and fresh water.

Safety inspection/maintenance contract

You can agree on regular safety inspections or close a maintenance contract with your dealer. Please seek advice on this.

Maintenance intervals

Each time after use

ATTENTION

Improper cleaning

Risk of damage.

Do not spray the device with water.

Do not use aggressive cleaning agents.

A detailed description of the individual maintenance work is provided in Chapter *Maintenance work*.

- Drain the waste water.
- Rinse the waste water tank with clear water.
- Clean the exterior of the device using a damp cloth, wetted with a mild washing lye.
- Check the fluff filter and clean if required.
- Clean the coarse dirt filter.
- Clean the suction lips, check for wear and adjust the height or replace if necessary.
- Check the disc brushes for wear and replace if necessary.
- Charge the battery.
 - If the charging state of the battery is below 50%, charge the battery fully and without interruption.
 - If the charging state of the battery is above 50%, only recharge the battery if the entire operating duration will be required when next used.

Weekly

- When used regularly, charge the battery fully and without interruption at least once a week.

Monthly

A detailed description of the individual maintenance work is provided in Chapter *Maintenance work*.

- Drain the fresh water tank and flush out deposits.
- Clean the fresh water filter.
- Clean the float and fluff filter.
- Check battery poles for oxidation, brush off if necessary. Make sure the connection cables are firmly in place.
- Clean the seals between the waste water tank and the cover, check for leaks and replace if necessary.
- Check the acid density of the cells if the batteries are not maintenance-free.

- For longer periods of disuse, shut down the device when the battery is fully charged. Fully charge the battery at least once a month.

Annually

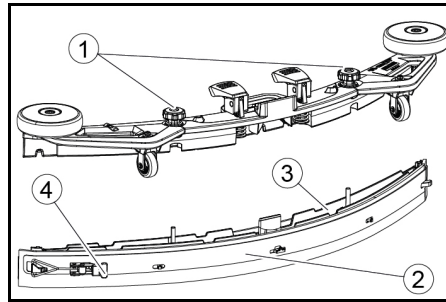
- Have the prescribed inspection performed by Customer Service.

Maintenance work

Turn over or replace the worn suction lips

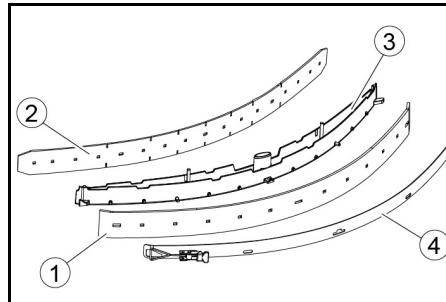
The suction lips must be turned over or replaced when worn out.

- Remove the suction bar.
- Unscrew the star handles.



- Star grip
- Strap
- Inner part of the suction bar
- Tension lock

- Pull out the inner part of the suction bar.
- Open the tension lock.
- Remove the strap.
- Release the suction lips from the inner part.

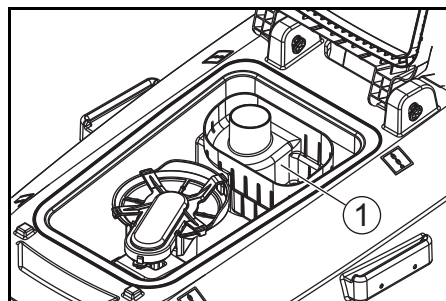


- Rear suction lip
- Front support lip
- Inner part of the suction bar
- Strap

- Press the turned or new suction lips onto the knobs of the inner part of the suction bar.
- Attach the strap.
- Push the inner part of the suction bar into the upper part.
- Screw in and tighten the star handles.

Cleaning the coarse dirt filter

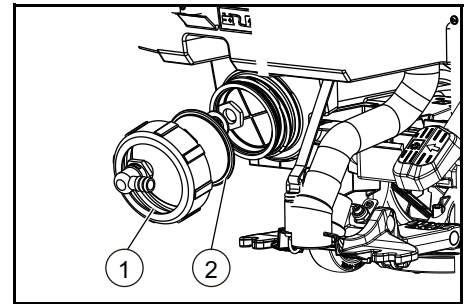
- Open the waste water tank cover.



- Coarse dirt filter
- Pull the coarse dirt filter upwards and off.
- Rinse off the coarse dirt filter under running water.
- Reinsert the coarse dirt filter into the waste water tank.

Cleaning the fresh water filter

- Drain the fresh water (see Chapter *Quickly draining fresh water*).
- Unscrew the fresh water tank cap.

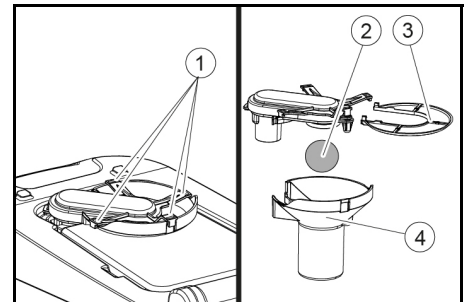


- Fresh water tank cap
- Fresh water filter
- Pull out the fresh water filter and rinse with clean water.
- Insert the fresh water filter.
- Fit the fresh water tank cap.

Note: Take care to ensure that the hose connection in the fresh water tank cap is positioned at the lowest point in the tank after screwing the cap in place.

Clean the float and fluff filter

- Open the waste water tank cover.



- Latching hooks
- Float
- Fluff filter
- Float housing

- Release the latching hooks.
- Pull the float housing downwards and off.
- Remove the float from the float housing and clean it.
- Remove the fluff filter and clean it.
- Assemble all parts in the reverse order.

Replacing the disc brush

Note

Replace the disc brushes when the bristle length has reached 10 mm.

- Raise the brush head.
- Push the brush release pedal down.
- Pull the disc brush sideways and out from underneath the brush head.
- Hold the new disc brush under the cleaning head, then press upwards and latch it into position.

Troubleshooting guide

⚠ DANGER

Inadvertently starting up device

Risk of injury, electric shock

Turn the key-operated switch to "0" and remove the key before performing any work on the device.

Pull out the charger mains plug.

- Drain and dispose of the waste water and fresh water.
- Contact Customer Service in the case of malfunctions that cannot be corrected using this table.

⚠ WARNING

Be careful when approaching blind corners, bushes, trees or objects that might restrict your view.

Malfunction	Rectification
The device cannot be started	<ol style="list-style-type: none"> 1. Turn the key-operated switch to "1". 2. Actuate the safety switch. 3. Insert the battery plug. 4. Check the battery and charge if necessary. 5. Check that the battery terminals are correctly connected.
The water volume is insufficient	<ol style="list-style-type: none"> 1. Check the fresh water filling level and fill the tank if necessary. 2. Increase the water volume at the water volume regulating knob. 3. Clean the fresh water filter. 4. Check the hoses for clogging and clean if necessary.
The suction performance is too low	<ol style="list-style-type: none"> 1. Shut down the device and drain the waste water. 2. Clean the seals between the waste water tank and the cover, check for leaks and replace if necessary. 3. Check that the suction hose is correctly connected to the waste water tank. 4. Check the fluff filter for soiling and clean if necessary. 5. Clean the suction lips at the suction bar, turn over or replace if necessary. 6. Check that the cap on the waste water drain hose is closed. 7. Check the adjustment of the suction bar. 8. Check the suction hose for clogging and clean if necessary. 9. Check the suction hose for leaks and replace if necessary.
The cleaning results are unsatisfactory	<ol style="list-style-type: none"> 1. Reduce the driving speed. 2. Check the brushes for wear and replace if necessary. 3. Check the suitability of the brush type and detergent used.
The suction turbine runs at an increased speed	<ol style="list-style-type: none"> 1. Drain the waste water. 2. Clean the float. 3. Check the fluff filter and clean if necessary. 4. Check the suction hose for clogging and clean if necessary. 5. Check the suction bar for clogging and remove any clogging if necessary
The brushes do not rotate	<ol style="list-style-type: none"> 1. Check if the brushes are blocked by a foreign body and remove the foreign body if necessary.
The device vibrates during cleaning	<ol style="list-style-type: none"> 1. Use a softer brush.

Warranty

The warranty conditions issued by our relevant sales company apply in all countries. We shall remedy possible malfunctions on your appliance within the warranty

period free of cost, provided that a material or manufacturing defect is the cause. In a warranty case, please

contact your dealer (with the purchase receipt) or the next authorised customer service site. (See overleaf for the address)

Accessories

Description	Part no.	Description
Disc brush, complete red D51	9.753-021.0	For general cleaning, for all surfaces.
Disc brush, (very soft)	4.905-028.0	For cleaning sensitive floors and polishing.
Disc brush, (soft)	4.905-027.0	Made of natural fibers, for cleaning and polishing.
Disc brush, (medium soft)	4.905-026.0	For general cleaning, for all surfaces.
Disc brush, (hard)	4.905-029.0	For stubborn dirt and deep cleaning. Only for hard-wearing surfaces.
Pad drive board, 479 mm	4.762-534.0	For cleaning with pads. With quick-change coupling and Centerlock.
Pad, 500 mm, (soft)	6.371-146.0	With natural hair, for polishing. Removes scuff marks effectively.
Pad, 508 mm, (soft)	6.369-468.0	Light grit, suitable for polishing floors.
Pad, 508 mm, (medium-soft)	6.369-079.0	For cleaning all types of floors.
Pad, 508 mm, (medium-hard)	6.369-078.0	For removing stubborn dirt and deep cleaning.
Pad, 508 mm, (hard)	6.369-077.0	For cleaning heavily soiled floors and for deep cleaning.
Diamond pad, 508 mm, (coarse)	6.371-260.0	For coarse cleaning / restoring. Removes small scratches, for a clean, silky matt surface. For surface preparation prior to using the yellow pad. As a crystallization pad for basic crystallization.
Diamond pad, 508 mm, (medium)	6.371-261.0	For coarse cleaning / restoring. Removes fine scratches for a more homogenous and shinier surface. For surface preparation prior to using the green diamond pad. As a crystallization pad for high-gloss crystallization.
Diamond pad, 508 mm, (fine)	6.371-240.0	For effortless polishing of laminated floors, terrazzo, and natural stone surfaces. For maintenance cleaning after using white and yellow pads.
Microfiber pad, 508 mm	6.371-271.0	Excellent cleaning power. Also effectively cleans fine stoneware tiles.
Melamine pad, 508mm	6.371-025.0	Melamine pad set for the effective cleaning of microporous surfaces.
Squeegee, 850mm	4.778-008.0	Parabolic squeegee, Suction lips made of wear-resistant, red Linatex, with support rollers.
Suction lips, 33in, red	4.400-011.0	Made from Linatex, wear-resistant.
Suction lips, 33in, transparent	4.400-005.0	Made from PU, oil-resistant.

Technical data

		BD 50/55 W Classic Bp	BD 50/55 C Classic Bp
Device performance data			
Nominal voltage	V	24	24
Battery capacity	Ah (5 h)	80 / 115	80 / 115
Mean power input	W	880	750
Driving motor power	W	130	-
Suction turbine power	W	250	250
Brush drive power	W	500	500
Theoretical surface performance	m ² /h	2550	2040
Fresh water tank capacity	l	55	55
Waste water tank capacity	l	55	55

		BD 50/55 W Classic Bp	BD 50/55 C Classic Bp
Water temperature max.	°C	50	50
Water pressure max.	bar	0.06	0.06
Max. working area slope	%	2	2
Vacuuming			
Suction performance, air quantity	l/s	24	24
Suction performance, vacuum	kPa (mbar)	9.5 (95)	9.5 (95)
Cleaning brushes			
Working width	mm	510	510
Brush diameter	mm	510	510
Brush speed	1/min	140	140
Brush contact pressure	kg	≥ 27	≥ 27
Dimensions and weights			
Approved total weight	kg	240	225
Net weight (transport weight)	kg	115	110
Battery compartment dimensions	mm	330 x 355 x 290	330 x 355 x 290
Determined values in acc. with EN 60335-2-72			
Overall vibration value	m/s ²	<2.5	<2.5
Uncertainty K	dB(A)	0.2	0.2
Sound pressure level L _{pA}	dB(A)	65.2	65.2
Uncertainty K _{pA}	dB(A)	2	2
Sound power level L _{WA} + K uncertainty _{WA}	dB(A)	84.1	84.1

Subject to technical modifications.



THANK YOU!
MERCI! DANKE! ¡GRACIAS!



Registrieren Sie Ihr Produkt und profitieren Sie von vielen Vorteilen.

Register your product and benefit from many advantages.

Enregistrez votre produit et bénéficiez de nombreux avantages.

Registre su producto y aproveche de muchas ventajas.

www.kaercher.com/welcome

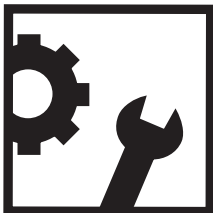


Bewerten Sie Ihr Produkt und sagen Sie uns Ihre Meinung.

Rate your product and tell us your opinion.

Évaluer votre produit et dites-nous votre opinion.

Reseñe su producto y díganos su opinión.



www.kaercher.com/dealersearch

Alfred Kärcher SE & Co. KG

Alfred-Kärcher-Str. 28-40

71364 Winnenden (Germany)

Tel.: +49 7195 14-0

Fax: +49 7195 14-2212

