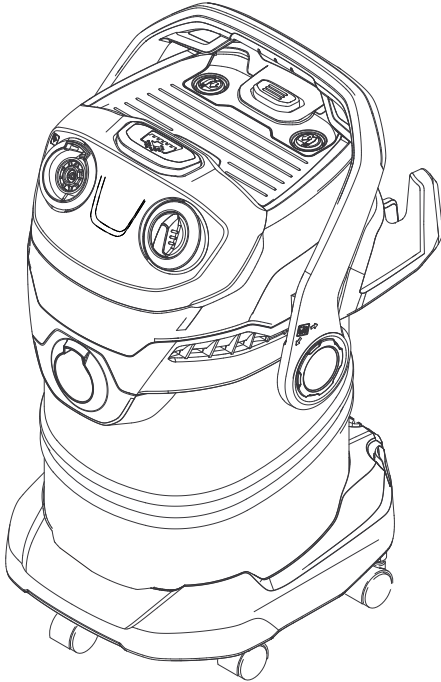


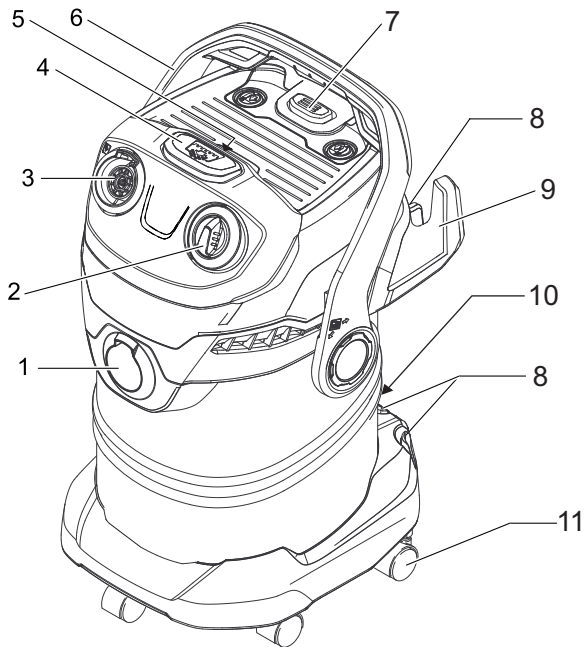
KÄRCHER

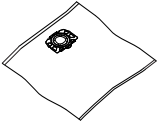
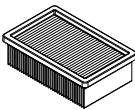
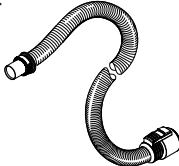

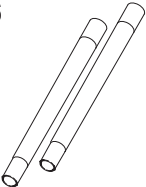
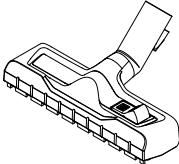

makes a difference

WD 5 Premium

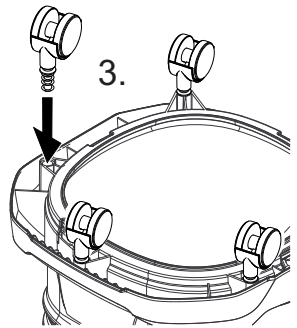
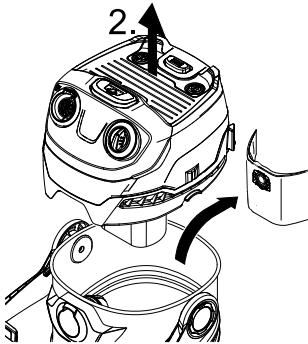
English. 5
中文. 11



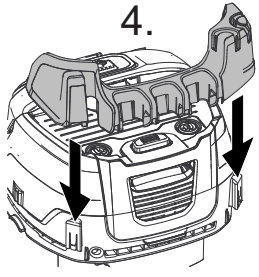


<p>12</p> 	<p>13</p> 	<p>14</p> 	
<p>15</p> 	<p>16</p> 	<p>17</p> 	<p>18</p> 

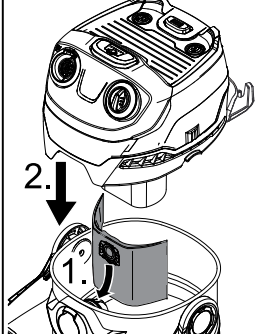
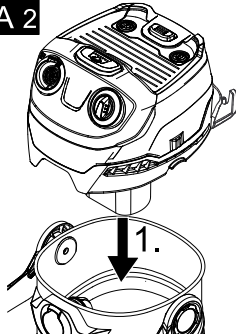
A 1



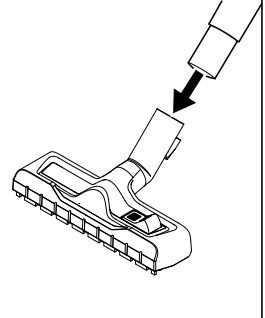
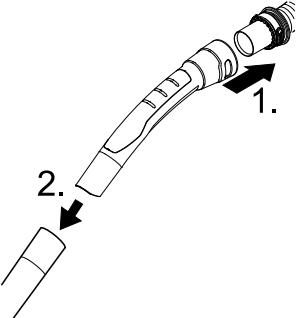
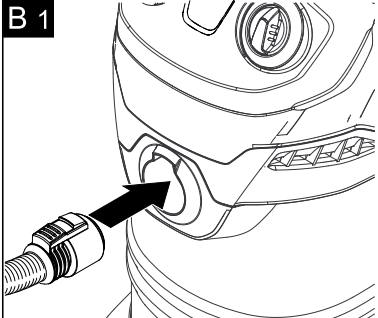
A 1



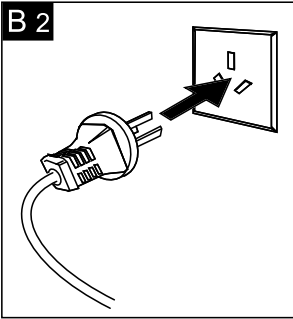
A 2



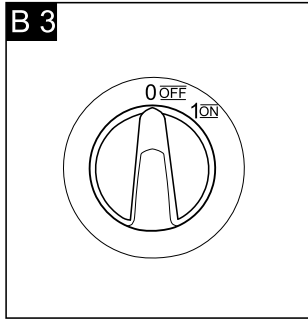
B 1



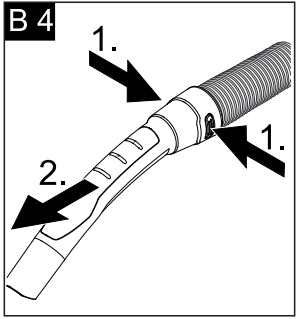
B 2

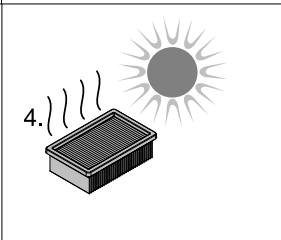
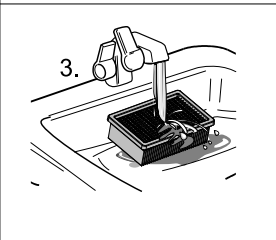
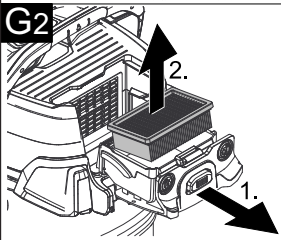
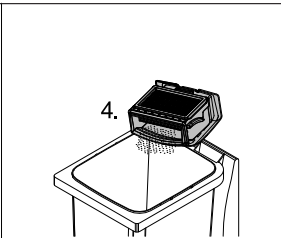
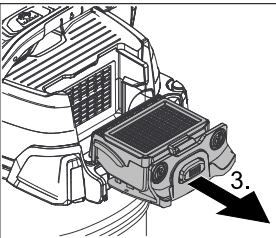
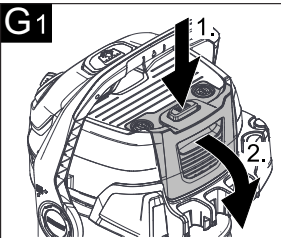
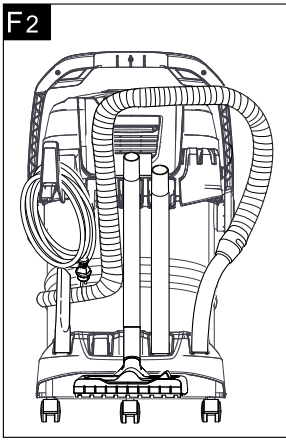
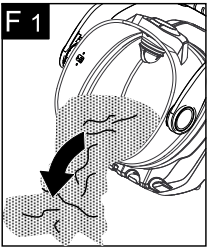
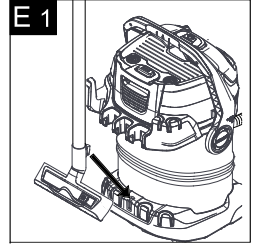
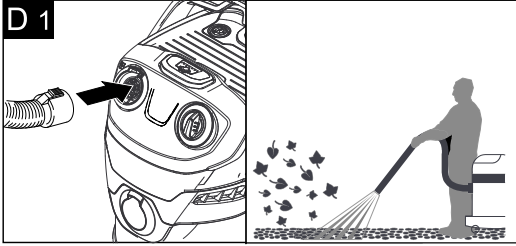
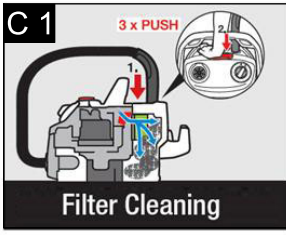


B 3



B 4





Contents

General notes	5
Safety instructions	6
Description of the Appliance . .	7
Operation	8
Care and maintenance	10
Troubleshooting	10
Technical specifications	10

Dear Customer,



Please read and comply with these original instructions prior to the initial operation of your appliance and store them for later use or subsequent owners.

General notes

Proper use

In accordance with the descriptions and the safety information in these operating instructions the appliance is intended for use as a multi-purpose vacuum cleaner.

This appliance has been designed for use in private households and is not intended for commercial use.

- Protect the unit from rain. Do not store outside.
- This device may not be used to suck in ash and soot.

Use the multi-purpose vacuum cleaner only with:

- Original filter bag.
- Original spare parts, accessories and special accessories.

The manufacturer is not responsible for any damages that may occur on account of improper use or wrong operations.

Environmental protection



The packaging material can be recycled. Please do not place the packaging into the ordinary refuse for disposal, but arrange for the proper recycling.



Old appliances contain valuable materials that can be recycled. Please arrange for the proper recycling of old appliances. Please dispose your old appliances using appropriate collection systems.

Disposing the filters and filter bags

Filters and filter bags are made from environment-friendly materials.

They can therefore be disposed off through the normal household garbage provided you have not sucked in substances that are not permitted to be thrown into household garbage.

Notes about the ingredients (REACH)

You will find current information about the ingredients at:

www.kaercher.com/REACH

Warranty

The terms of the guarantee applicable in each country have been published by our respective national distributors. We will repair possible faults on your unit free of charge within the warranty period, insofar as the faults are caused by material defects or defective workmanship. Guarantee claims should be addressed to your dealer or the nearest authorized customer service centre, and supported by documentary evidence of purchase.

Customer Service

Our KÄRCHER branch will be pleased to help you further in the case of questions or faults.

Ordering spare parts and special attachments

At the end of the operating instructions you will find a selected list of spare parts that are often required.

You can procure the spare parts and the attachments from your dealer or your KÄRCHER branch office.

Safety instructions

⚠ DANGER

- *The appliance may only be connected to alternating current. The voltage must correspond with the type plate on the appliance.*
- *Never touch the mains plug and the socket with wet hands.*
- *Do not pull the plug from the socket by pulling on the connecting cable.*
- *Check the power cord with mains plug for damage before every use. To avoid risks, arrange immediately the exchange by an authorized customer service or a skilled electrician, if the power cord is damaged.*
- *To avoid accidents due to electrical faults we recommend the use of sockets with a line-side current-limiting circuit breaker (max. 30 mA nominal tripping current).*
- *Turn off the appliance and remove the mains plug prior to any care and maintenance work.*
- *Repair works may only be performed by the authorised customer service.*

⚠ WARNING

- *This appliance is not intended for use by persons with limited physical, sensory or mental capacities or lacking experience and/or skills, unless such persons are accompanied and supervised by a person in charge of their safety or they have received precise instructions on the use of this appliance and have understood the resulting risks.*
- *Children may only use this appliance if they are over the age of 8 and supervised by a person in charge of their*

safety, or if they have received instructions on the use of this appliance and have understood the resulting risks.

- *Children must not play with this appliance.*
- *Supervise children to prevent them from playing with the appliance.*
- *Cleaning and user maintenance must not be performed by children without supervision.*
- *Keep packaging film away from children - risk of suffocation!*
- *Switch the appliance off after every use and prior to every cleaning/maintenance procedure.*
- *Risk of fire. Do not vacuum up any burning or glowing objects.*
- *The appliance may not be used in areas where a risk of explosion is present.*
- *Immediately switch the appliance off or pull the power plug if foam forms or liquids escape!*
- *Do not use abrasives, glass or universal cleaners! Never immerse the appliance in water.*

Certain materials may produce explosive vapours or mixtures when agitated by the suction air!

Never vacuum up the following materials:

- *Explosive or combustible gases, liquids and dust particles (reactive dust particles)*
- *Reactive metal dust particles (such as aluminium, magnesium, zinc) in combination with highly alkaline or acidic detergents*
- *Undiluted, strong acids and alkalis*
- *Organic solvents (such as petrol, paint thinners, acetone, heating oil).*

In addition, these substances may cause the appliance materials to corrode.

Hazard levels

⚠ DANGER

Pointer to immediate danger, which leads to severe injuries or death.

⚠ WARNING

Pointer to a possibly dangerous situation, which can lead to severe injuries or death.

⚠ CAUTION

Pointer to a possibly dangerous situation, which can lead to minor injuries.

ATTENTION

Pointer to a possibly dangerous situation, which can lead to property damage.

Description of the Appliance

Illustrations on fold-out page!



- These operating instructions describe the multi-purpose vacuum cleaners listed on the front cover.
- The illustrations show the maximum equipment; depending on the model, there are differences in equipment and supplied accessories.

When unpacking the product, make sure that no accessories are missing and that none of the package contents have been damaged. If you detect any transport damages please contact your dealer.

1 Suction hose connection

Illustration **B 1**

- To connect the suction hose during vacuuming.

2 ON/OFF switch for appliance

Illustration **B 3**

- **Position I:** Suction or blowing
Position 0: Appliance is switched off

3 Blowing connection

Illustration **D 1**

- Connect the suction hose to the blower connection, this will activate the blower function.

4 Filter cleaning button

Illustration **C 1**

- For cleaning the flat pleated filter fitted.

Note: Do not operate the button when the flat pleated filter is wet.

5 Recessed grip

- After unlocking it, grab the appliance head by the handle recess and remove it.

6 Carry handle

Illustration **A 1**

- The carrying handle is also used to lock the appliance head and the container. To unlock, push the bow all the way forward until you clear the lock.

7 Filter box and release key

Illustration **G 1**

Illustration **G 2**

- In order to clean the filter, press the release key, fold out and remove the filter box.

8 Accessory mount

Illustration **F 2**

- The accessories compartment allows the storage of suction pipes and suction nozzles on the appliance.

9 Cable hook

Illustration **F 2**

- To store the mains cable.

10 Parking position

Illustration **E 1**

- To rest the floor nozzle during work interruptions.

11 Steering roller

Illustration **A 1**

- Turn the container, press in the steering roller in the openings at the base of the container till the end-point.

12 Filter bag

Illustration **A 2**

Note: Do not use a filter bag for wet vacuuming!

13 Flat fold filter

(already installed in the appliance)

CAUTION

Always work with an inserted flat fold filter - during wet as well as dry vacuum cleaning!

14 Suction hose with connecting piece

Illustration **B 1**

- Push the suction hose into the connection on the appliance, it snaps in place.
- In order to disconnect it, push down with your thumb and pull the suction hose out.

Note: Accessories, such as suction brushes (optional) can be directly attached to the connecting piece and thus connected to the suction hose.

For convenient working even in tight spaces.

The removable handle can be attached between the accessories and the suction hose if necessary.

See position 15.

Recommendation: In order to vacuum the floor, attach the handle to the suction hose.

15 Removable handle

Illustration **B 1**

- Connect the handle with the suction hose until it snaps in place.

Illustration **B 4**

- To remove the handle from the suction hose, press the notch using your thumb and pull off the handle.

Note: Due to removing the handle, accessories can be directly attached to the suction hose.

Recommendation: In order to vacuum the floor, attach the handle to the suction hose. See position 14.

16 Suction tubes 2 x 0.5 m

Illustration **B 1**

- Put both suction tubes together and connect them with the handle.

17 Floor nozzle

(with switching lever)

Illustration **B 1**

For convenient switching between dry and wet dirt:

- For vacuuming dry dirt off the floor, use position with extended brush strips.
- For vacuuming water off the floor, use position with extended rubber lips.

18 Crevice nozzle

- For edges, joints, heaters and hard to reach locations.

Operation

ATTENTION

Always work with an inserted flat fold filter - during wet as well as dry vacuum cleaning!

Before Startup

Illustration **A 1**

- Remove the appliance head and take the contents out of the container.
- Turn the container, press in the steering roller in the openings at the base of the container till the end-point.
- Insert and lock the appliance head.
- Clip the holder for the accessory compartment onto the rear side of the appliance.

Start up

Illustration **B 1**

- Connect accessories.

Illustration **B 2**

- Plug in the mains plug.

Illustration **B 3**

- Turn on the machine.

Dry vacuum cleaning

ATTENTION

*Work with a dry flat fold filter only.
Check the filter for damage prior to installation and replace as necessary.*

Illustration **A 2**

→ For vacuuming dry dirt an additional filter bag can be inserted if necessary.

ATTENTION

Only operate the filter cleaning without a filter bag inserted, otherwise the filter bag can get damaged.

Information filter bag

- The filling level of the filter bag depends on the dirt that is sucked in.
- The filter bag needs to be replaced more frequently while sucking in fine dust, sand, etc.
- Clogged filter bags can burst - therefore make sure to replace the filter bag in a timely manner!

CAUTION

Vacuum cold ashes only when using a pre-filter.

Order no. basic design: 2.863-139.0, premium design: 2.863-161.0.

Wet vacuum cleaning

ATTENTION

Do not use a filter bag!

Note: If the container is full, a float closes the suction opening, and the appliance works at a higher speed. Switch off the appliance immediately, and empty the container.

→ For vacuuming up moisture or wetness pay attention to the correct floor nozzle setting and connect the corresponding accessories.

Integrated filter cleaning system

The filter cleaning system is intended for vacuuming up large volumes of fine dust without an inserted filter bag.

Note: Thanks to the filter cleaning system the soiled flat pleated filter can be cleaned at the push of the button and the suction performance can be increased again.

Illustration **C 1**

→ Place the handle of the suction hose in the accessory compartment on the appliance head. Push the filter cleaning button 3 x while the appliance is switched on, wait 4 seconds between the individual operations.

Note: After operating the filter cleaning button several times, check the container for its filling volume. Otherwise, the dirt might escape when the container is opened.

Blowing function

Cleaning hard to reach locations or, where vacuuming is not possible, like leaves from a gravel bed.

Illustration **D 1**

→ Connect the suction hose to the blower connection, this will activate the blower function.

Interrupting operation

Illustration **B 3**

→ Turn off the appliance.

Illustration **E 1**

→ Hook the floor nozzle into the parking position.

Finish operation

- Turn off the appliance and disconnect the mains plug.

Empty the container

Illustration **F 1**

- Remove the appliance head and empty the reservoir filled with wet or dry dirt.

Storing the appliance

Illustration **F 2**

- Stow away the mains cable and accessory at the machine. Store the appliance in a dry room.

Care and maintenance

- Clean the appliance and accessory parts made of plastic with a commercial plastic cleaner.
- If required, rinse the container and accessories with water properly and dry them before reuse.

Clean flat fold filter

Recommendation: Clean the filter box after every use.

Illustration **G 1**

- Unlock, fold out and remove the filter cartridge, empty dirt from the filter cartridge over a waste bin.
- In order to clean the inserted flat fold filter, knock the filter box against the edge of the waste bin. It is not necessary to remove the flat fold filter from the filter box.

If necessary, clean the flat fold filter separately.

Illustration **G 1**

- Unlock, fold out and remove the filter cartridge.

Illustration **G 2**

- Remove the flat fold filter from the filter box and tab it out.
- When necessary, clean under running water only, do not wipe or brush down. Allow to dry completely prior to use.
- Finally, reinstall the dry flat fold filter into the appliance. Insert the filter cartridge into the appliance.

Troubleshooting

Decreasing cleaning power

If the suction power becomes less, check the following points:

- Accessories, suction hose or suction pipes are clogged, please remove the obstruction using a stick.

Illustration **A 2**

- Filter bag is full: Insert new filter bag.

Illustration **G 2**

- Flat fold filter contaminated: Remove the filter box and clean filter (see Chapter "Cleaning the flat fold filter").
- Replace damaged flat fold filter.

Technical specifications

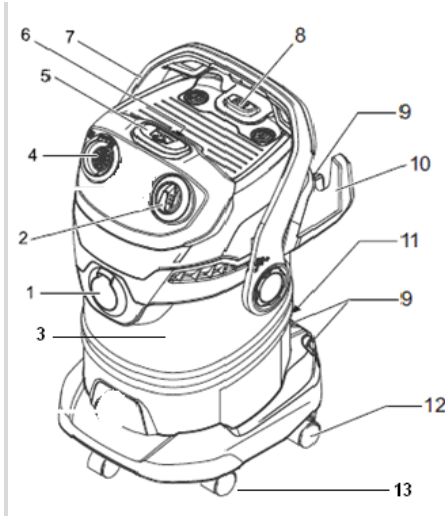
Voltage 60 Hz	110	V
Output P _{nom}	1000	W
Container capacity	25	l
Water intake with handle	15	l
Water intake with floor nozzle	13	l
Power cord	VCTF 2x2,0 mm ²	
Sound pressure level (EN 60704-2-1)	71	dB(A)
Weight (without accessories)	8,7	kg

Subject to technical modifications!

德國凱馳家用吸塵器

WD 5 Premium 中文說明書

(一) 主機本體與配件名稱



11. 地板吸頭掛鉤
12. 多向後滾輪
13. 多向前滾輪
14. 集塵袋
15. 過濾器
16. 吸塵軟管
17. 彎管
18. 延長管
19. 地板吸頭
20. 尖嘴吸頭

(二) 安全提示

使用本產品前，請遵守下列基本安全事項

第一次使用前，請務必詳閱本說明書。請了解主機安裝、操作使用與關閉主機方式。

請勿於身體不適時操作主機，以免發生危險。

請遵守本說明之配件使用、保養與維修資訊。

本電器不預期供生理、感知、心智能力、經驗或知識不足之使用者(包含孩童)使用，除非在對其負有安全責任的人員之監護或指導下安全使用。

孩童應受監護，以確保孩童不嬉玩電器。

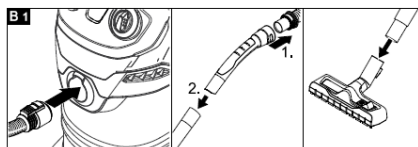
	14 15	16	17	18	19	20
MV 5 Premium	●	●	●	●	●	●

1. 吸塵軟管接口
2. 電源開關
3. 不鏽鋼集塵桶
4. 吹塵連接出口
5. 手動振塵開關
6. 振塵用溝槽
7. 把手
8. 過濾器外蓋開啓按鈕
9. 配件收納架
10. 電源線掛鉤

(三) 使用前

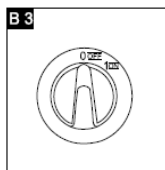
組件安裝

步驟 B1、安裝吸塵軟管並聽到「喀」

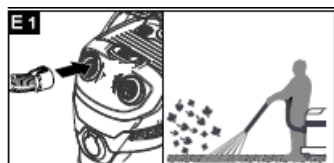


步驟 B3、主機電源開關

(位置 I 吸塵/吹塵 位置 O 關閉電源)



步驟 E1、使用吸塵軟管連接吹塵出口



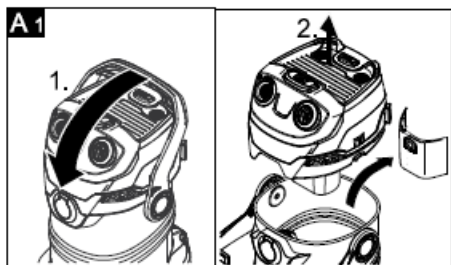
步驟 D1、使用手動振塵開關(每次按壓 3 下)



使用振塵裝置時，須將運行中的吸塵吸口插入振塵用溝槽內，再按壓手動振塵開關三下，此時內建振塵裝置將會把粉塵從過濾器上震下達

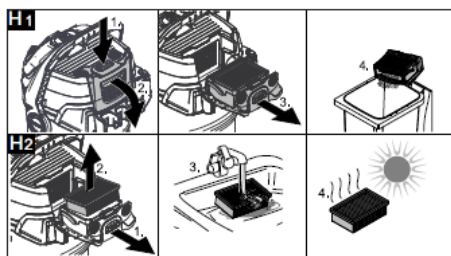
到最佳吸塵力。

步驟 A1、主機把手亦是主機馬達上蓋開關。將把手往前推，將可以解除上蓋鎖定將吸塵馬達提起。

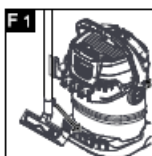


步驟 H1~H2、過濾器外蓋移除

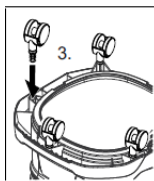
→ 將過濾外蓋移除後可將過濾器拿出清潔，如果需要濕式清潔時，請確保在使用完後清潔，並在外晾乾後再安裝回去。必要時過濾器必須更換。



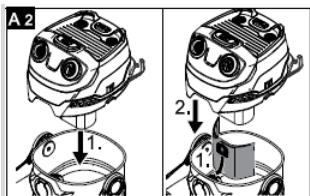
步驟 F1、配件可放置在收納架上



安裝多向滾輪

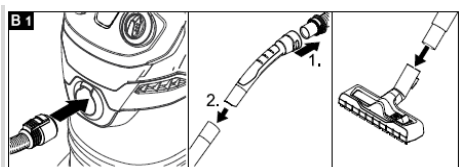


步驟 A2、安裝集塵袋，使用濕式清潔時請勿使用集塵袋。



注意：清潔時請勿將過濾器取下。

步驟 B1、安裝吸頭等配件



(四) 操作說明

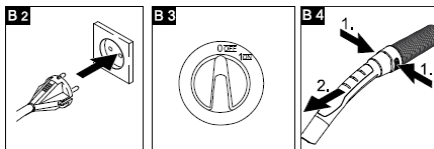
使用者必須正確操作主機。當主機運行時請注意環境是否安全並且提示在主機附近的人，特別是孩童。切勿在主機尚未停止運行或關閉時離開，以免發生危險。

▲危險

爆炸危險，不得吸取可燃液體或是在具有燃點的粉塵區域內使用本產品(如：火藥)，這是使用設備時應遵守相關的安全規定。

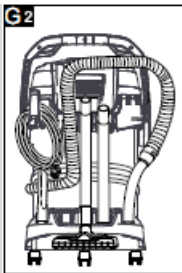
(五) 開始使用

- 請依照下列圖示，先將電源線含插頭插入適用的電源插座上(限 110 V)
- 開啓主機電源
- 如在吸塵清潔時遇到吸塵阻塞時可經由彎管旁的小孔進行解除。

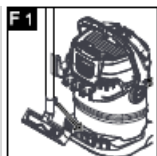


(六) 結束使用

- 將插頭拔除。
- 關閉主機電源至位置 O。
- 將配件收納於配件收納架。



- 地板吸頭可以放置於掛座上。



(七) 使用完後的保養

- 清洗集塵桶。
- 檢查集塵袋，必要時更換。

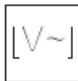
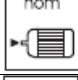
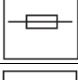
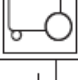


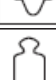
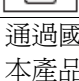
(八) 相關配件

全系列德國凱馳產品皆有專用相關的配件進行更換或維修，請勿任意拆解，此動作很有可能讓主機損壞且無法修復。相關配件購買，請洽德國凱馳原廠展售中心或授權經銷商。

(九) 產品保固

1. 主機馬達保固一年，其餘配件及消耗品(主機內其他附件)，皆不在保固範圍內。
2. 德國凱馳建議本主機僅能使用於家用用途。主機若經原廠維修判斷為人為使用不當因素(如使用在商業營業用)，主機與其配件將失去原廠保固。
3. 使用本機器前，請詳細閱讀中文說明書。
4. 在保固期間內，德國凱馳會提供免費零件及維修服務修復該產品。
5. 未經授權人員所進行的維修與機體拆解，或是未使用德國凱馳原廠零件，都會使保固失效
6. 如需產品維服務，請將完整的服務保證書或購買證明，以及需維修之產品快遞或親洽授權的德國凱馳維修服務中心。

產品規格表：

WD 5 Premium		
		110 V / 60 Hz
		1000 W
		10 A
		桶身 25 L
		使用吸塵管 吸水率 15 L
		使用地板刷 吸水率 13 L
		71 dB(A)分貝
		10.2 Kg

BSMI 通過國家標準檢驗局認證
RoHS 本產品符合有害物質限用標示
請參考下列網址
www.kaercher.com/tw/rohs.html

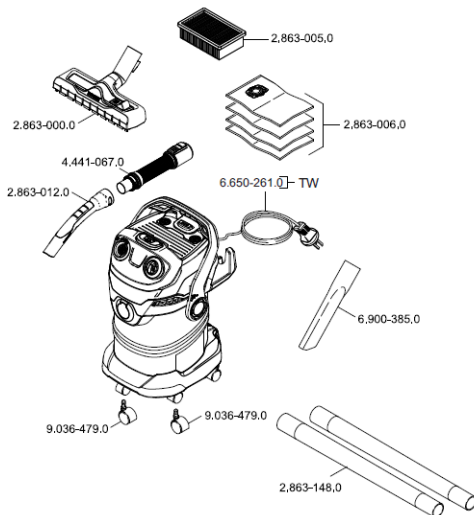
KÄRCHER

德國凱馳

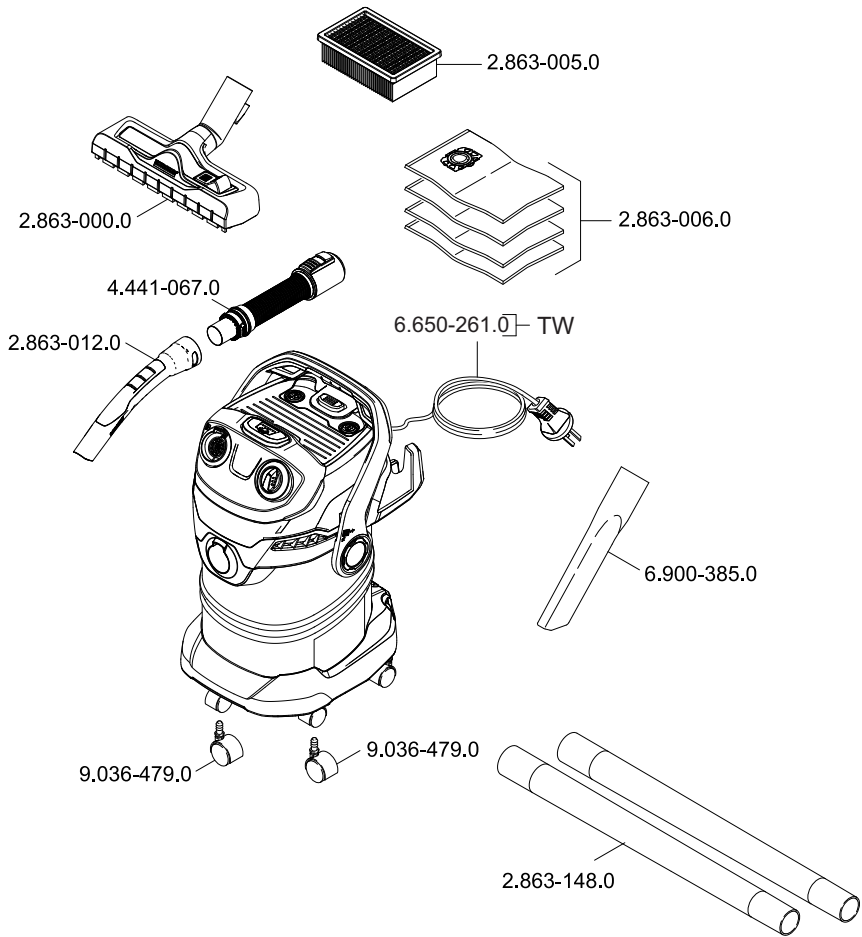
德商 凱馳清潔設備股份有限公司
KÄRCHER LIMITED TAIWAN

235 新北市中和區員山路502號1F/2F-1
TEL: 02-2221-0698 FAX: 02-2221-1695
407 台中市西屯區甘肅路2段30號
TEL: 04-2317-6060 FAX: 04-2317-2050
807 高雄市三民區敦煌路19巷43號
TEL: 07-397-0699 FAX: 07-397-0199

網址 WWW.KARCHER.COM.TW
免費服務專線 0800-666-825



WD 5 Premium 1.384.-239.0





www.kaercher.com/dealersearch

Alfred Kärcher SE & Co. KG
Alfred-Kärcher-Str. 28-40
71364 Winnenden (Germany)
Tel.: +49 7195 14-0
Fax: +49 7195 14-2212

